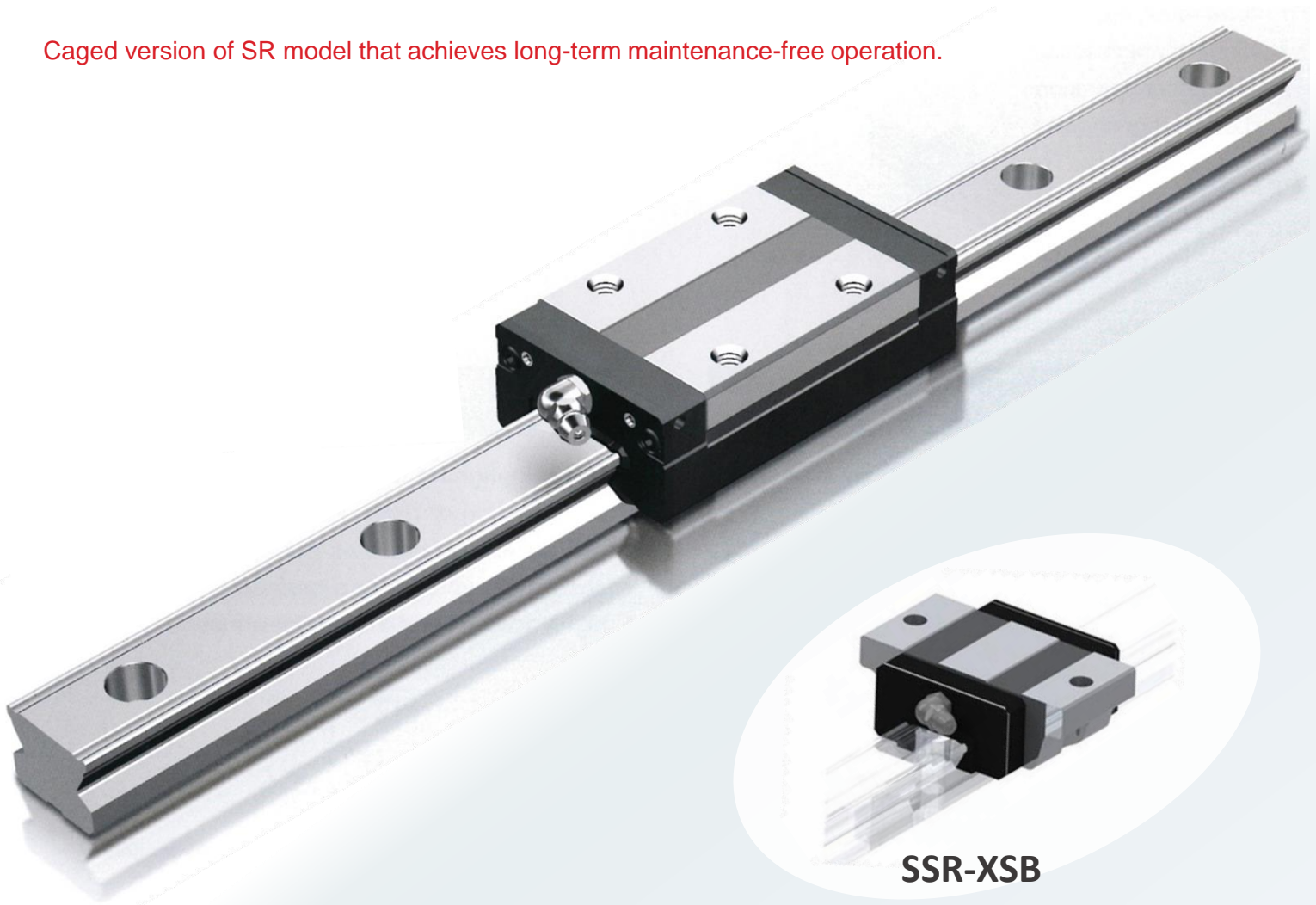




Compact Caged Ball LM Guide Radial Type

# SSR

Caged version of SR model that achieves long-term maintenance-free operation.



**SSR-XSB**

STANDARD MODEL

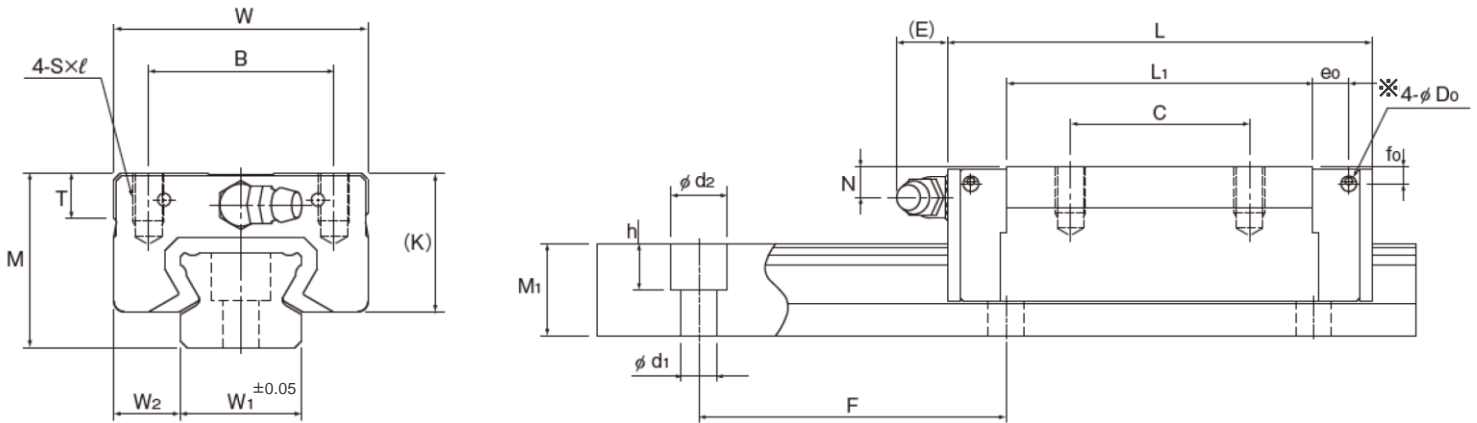
	XW	XV	XTB	XSB
SSR15	○	○	○	●
SSR20	○	○	○	●
SSR25	○	○	○	●
SSR30	○	●	●	●
SSR35	○	●	●	●

STAINLESS MODEL

	XWM	XVM
SSR15	○	○
SSR20	○	○
SSR25	○	○
SSR30	○	●
SSR35	----	----

**NEW MODELS ARE ADDED**

# Model SSR - XW

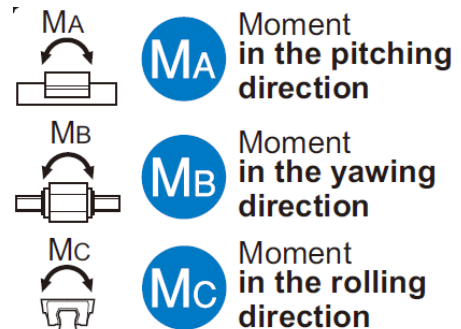


Unit : mm

Model No.	Outer Dimasions			LM Block Dimensions											Grease Nipple
	M	W	L	B	C	s×ℓ	L <sub>1</sub>	T	K	N	E	f <sub>0</sub>	e <sub>0</sub>	D <sub>0</sub>	
SSR15XW- Y	24	34	56.9	26	26	M4×7	39.9	6.5	19.5	4.5	5.5	2.7	4.5	3	PB1021B
SSR15XW- YM															
SSR20XW	28	42	66.5	32	32	M5×8	46.6	8.2	22	5.5	12	2.8	5.2	3	B-M6F
SSR20XWM															
SSR25XW- Y	33	48	83	35	35	M6×9	59.8	8.5	26.2	6	12	3.3	7	3	B-M6F
SSR25XW- YM															
SSR30XW	42	60	97	40	40	M8×12	70.7	11.5	32.5	8	12	4.5	7.6	4	B-M6F
SSR30XWM															
SSR35XW	48	70	110.9	50	50	M8×12	80.5	16.2	36.5	8.5	12	4.7	8.8	4	B-M6F

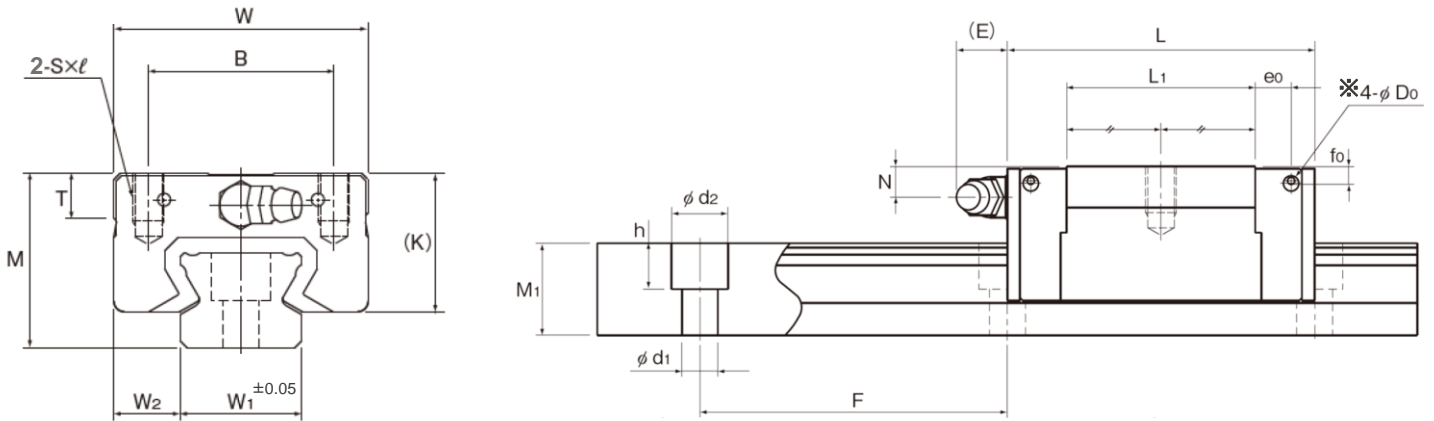
Note) Pilot holes for side nipples ※ are not drilled through in order to prevent foreign material from entering the product. THK will mount grease nipples per your request. Therefore, do not use the side nipple pilot holes ※ for purposes other than mounting a grease nipple.

Model No.	LM Rail Dimensions					Load Rating		Static Parmissible Moment (kN·m)					Mass	
	W <sub>1</sub>	W <sub>2</sub>	M <sub>1</sub>	F	d <sub>1</sub> ×d <sub>2</sub> ×h	C (kN)	C <sub>0</sub> (kN)	M <sub>A</sub>	M <sub>A2</sub>	M <sub>B</sub>	M <sub>B2</sub>	M <sub>C</sub>	Block (kg)	Rail (kg/m)
SSR15XW- Y	15	9.5	12.5	60	4.5×7.5×5.3	14.7	16.5	0.0792	0.44	0.0486	0.274	0.0962	0.15	1.2
SSR15XW- YM														
SSR20XW	20	11	15.5	60	6×9.5×8.5	19.6	23.4	0.138	0.723	0.0847	0.448	0.18	0.25	2.1
SSR20XWM														
SSR25XW- Y	23	12.5	18	60	7×11×9	31.5	36.4	0.258	1.42	0.158	0.884	0.33	0.4	2.7
SSR25XW- YM														
SSR30XW	28	16	23	80	7×11×9	46.5	52.7	0.446	2.4	0.274	1.49	0.571	0.8	4.3
SSR30XWM														
SSR35XW	34	18	27.5	80	9×14×12	64.6	71.6	0.711	3.72	0.437	2.31	0.936	1.1	6.4



Static permissible moment M<sub>A</sub>, M<sub>B</sub>, M<sub>C</sub> : static permissible moment value with 1 LM block  
M<sub>A2</sub>, M<sub>B2</sub> : static permissible moment value with 2 blocks closely contacting with each other

# Model SSR - XV

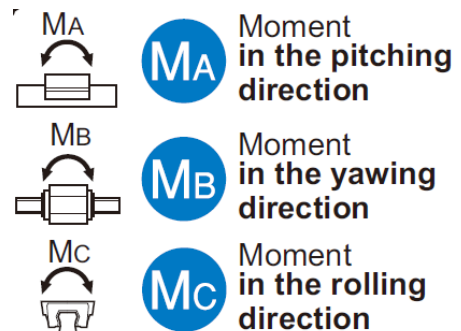


Unit : mm

Model No.	Outer Dimasions			LM Block Dimensions										Grease Nipple
	M	W	L	B	s×ℓ	L <sub>1</sub>	T	K	N	E	f <sub>0</sub>	e <sub>0</sub>	D <sub>0</sub>	
SSR15XV- Y	24	34	40.3	26	M4×7	23.3	6.5	19.5	4.5	5.5	2.7	4.5	3	PB1021B
SSR15XV- YM														
SSR20XV	28	42	47.7	32	M5×8	27.8	8.2	22	5.5	12	2.8	5.2	3	B-M6F
SSR20XVM														
SSR25XV- Y	33	48	60	35	M6×9	36.8	8.5	26.2	6	12	3.3	7	3	B-M6F
SSR25XV- YM														
SSR30XV	42	60	66.7	40	M8×12	40.4	11.5	32.5	8	12	4.5	7.6	4	B-M6F
SSR30XVM														
SSR35XV	48	70	77.5	50	M8×12	47.1	16.2	36.5	8.5	12	4.7	8.8	4	B-M6F

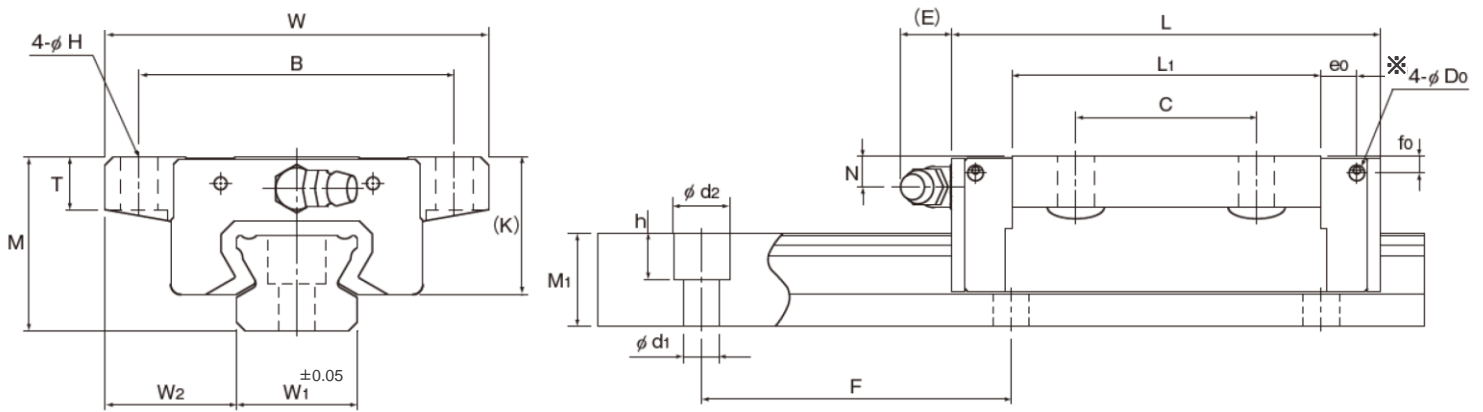
Note) Pilot holes for side nipples ※ are not drilled through in order to prevent foreign material from entering the product. THK will mount grease nipples per your request. Therefore, do not use the side nipple pilot holes ※ for purposes other than mounting a grease nipple.

Model No.	LM Rail Dimensions					Load Rating		Static Parmissible Moment (kN·m)					Mass	
	W <sub>1</sub>	W <sub>2</sub>	M <sub>1</sub>	F	d <sub>1</sub> ×d <sub>2</sub> ×h	C (kN)	C <sub>0</sub> (kN)	M <sub>A</sub>	M <sub>A2</sub>	M <sub>B</sub>	M <sub>B2</sub>	M <sub>C</sub>	Block (kg)	Rail (kg/m)
SSR15XV- Y	15	9.5	12.5	60	4.5×7.5×5.3	9.1	9.7	0.0303	0.119	0.0189	0.112	0.0562	0.08	1.2
SSR15XV- YM														
SSR20XV	20	11	15.5	60	6×9.5×8.5	13.4	14.4	0.0523	0.336	0.0326	0.213	0.111	0.14	2.1
SSR20XVM														
SSR25XV- Y	23	12.5	18	60	7×11×9	21.7	22.5	0.104	0.661	0.0652	0.419	0.204	0.23	2.7
SSR25XV- YM														
SSR30XV	28	16	23	80	7×11×9	34.8	34.4	0.186	1.12	0.116	0.711	0.376	0.43	4.3
SSR30XVM														
SSR35XV	34	18	27.5	80	9×14×12	48.3	46.7	0.295	1.77	0.184	1.12	0.615	0.6	6.4



Static permissible moment M<sub>A</sub>, M<sub>B</sub>, M<sub>C</sub> : static permissible moment value with 1 LM block  
M<sub>A2</sub>, M<sub>B2</sub> : static permissible moment value with 2 blocks closely contacting with each other

# Model SSR - XTB

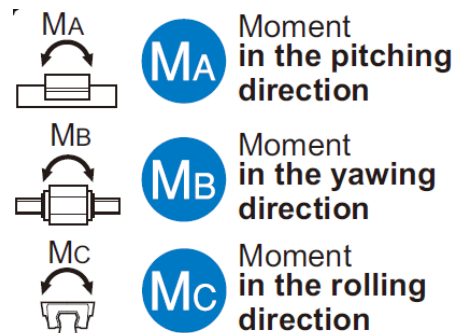


Unit : mm

Model No.	Outer Dimasions			LM Block Dimensions											Grease Nipple
	M	W	L	B	C	H	L <sub>1</sub>	T	K	N	E	f <sub>0</sub>	e <sub>0</sub>	D <sub>0</sub>	
SSR15XTB- Y	24	52	56.9	41	26	4.5	39.9	7	19.5	4.5	5.5	2.7	4.5	3	PB1021B
SSR20XTB	28	59	66.5	49	32	5.5	46.6	9	22	5.5	12	2.8	5.2	3	B-M6F
SSR25XTB- Y	33	73	83	60	35	7	59.8	10	26.2	6	12	3.3	7	3	B-M6F
SSR30XTB	42	90	97	72	40	9	70.7	10	32.5	8	12	4.5	7.6	4	B-M6F
SSR35XTB	48	100	110.9	82	50	9	80.5	13	36.5	8.5	12	4.7	8.8	4	B-M6F

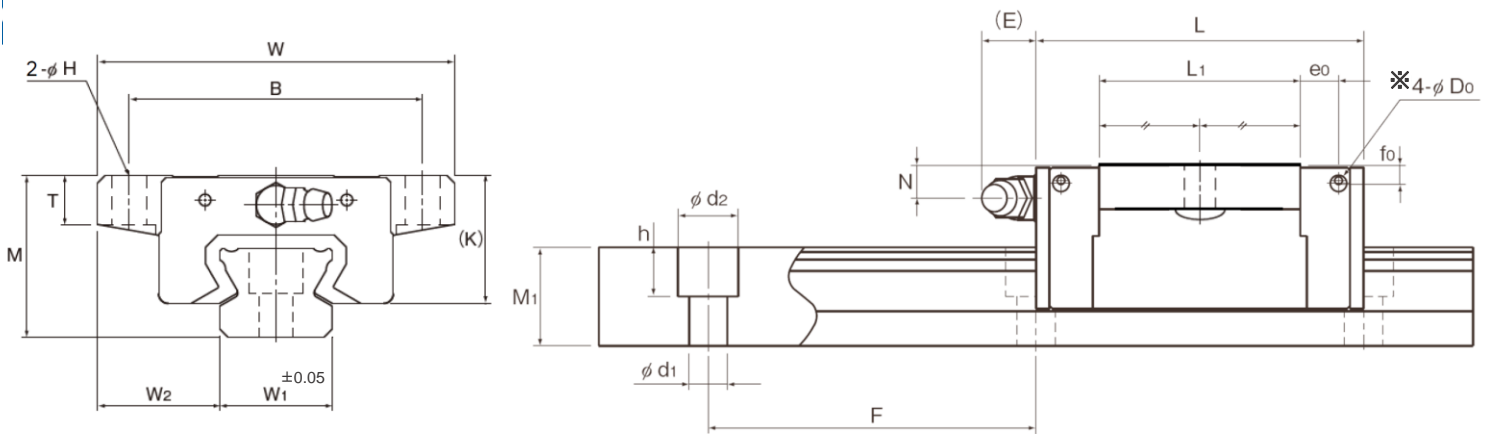
Note) Pilot holes for side nipples ※ are not drilled through in order to prevent foreign material from entering the product. THK will mount grease nipples per your request. Therefore, do not use the side nipple pilot holes ※ for purposes other than mounting a grease nipple.

Model No.	LM Rail Dimensions					Load Rating		Static Parmissible Moment (kN·m)					Mass	
	W <sub>1</sub>	W <sub>2</sub>	M <sub>1</sub>	F	d <sub>1</sub> ×d <sub>2</sub> ×h	C (kN)	C <sub>0</sub> (kN)	M <sub>A</sub>	M <sub>A2</sub>	M <sub>B</sub>	M <sub>B2</sub>	M <sub>C</sub>	Block (kg)	Rail (kg/m)
SSR15XTB- Y	15	18.5	12.5	60	4.5×7.5×5.3	14.7	16.5	0.0792	0.44	0.0486	0.274	0.0962	0.19	1.2
SSR20XTB	20	19.5	15.5	60	6×9.5×8.5	19.6	23.4	0.138	0.723	0.0847	0.448	0.18	0.31	2.1
SSR25XTB- Y	23	25	18	60	7×11×9	31.5	36.4	0.258	1.42	0.158	0.884	0.33	0.53	2.7
SSR30XTB	28	31	23	80	7×11×9	46.5	52.7	0.446	2.4	0.274	1.49	0.571	0.87	4.3
SSR35XTB	34	33	27.5	80	9×14×12	64.6	71.6	0.711	3.72	0.437	2.31	0.936	1.33	6.4



Static permissible moment  $M_A, M_B, M_C$  : static permissible moment value with 1 LM block  
 $M_{A2}, M_{B2}$  : static permissible moment value with 2 blocks closely contacting with each other

# Model SSR - XSB

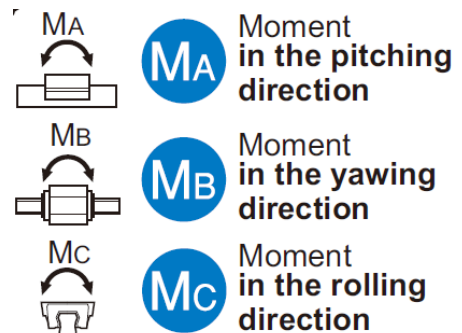


Unit : mm

Model No.	Outer Dimasions			LM Block Dimensions										Grease Nipple
	M	W	L	B	H	L <sub>1</sub>	T	K	N	E	f <sub>0</sub>	e <sub>0</sub>	D <sub>0</sub>	
SSR15XSB- Y	24	52	40.3	41	4.5	23.3	7	19.5	4.5	5.5	2.7	4.5	3	PB1021B
SSR20XSB	28	59	47.7	49	5.5	27.8	9	22	5.5	12	2.8	5.2	3	B-M6F
SSR25XSB- Y	33	73	60	60	7	36.8	10	26.2	6	12	3.3	7	3	B-M6F
SSR30XSB	42	90	66.7	72	9	40.4	10	32.5	8	12	4.5	7.6	4	B-M6F
SSR35XSB	48	100	77.5	82	9	47.1	13	36.5	8.5	12	4.7	8.8	4	B-M6F

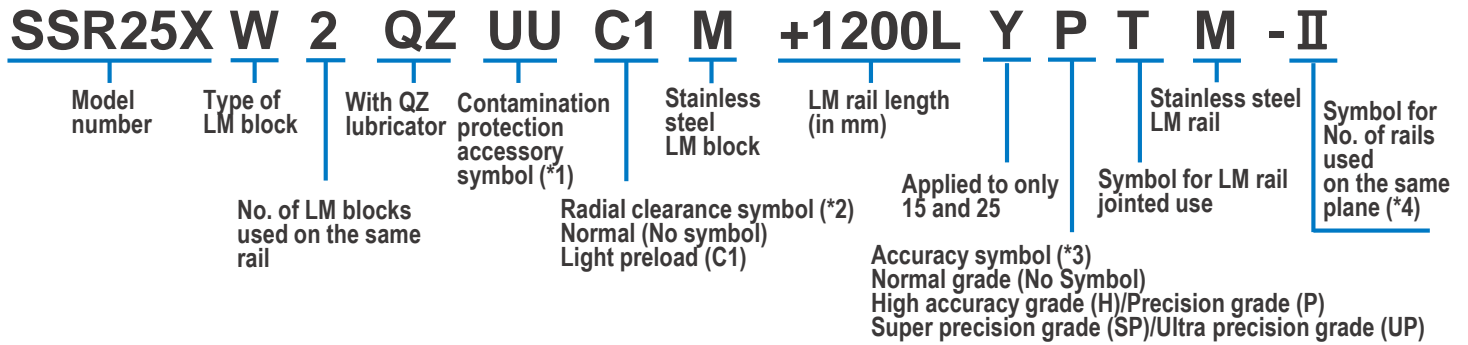
Note) Pilot holes for side nipples ※ are not drilled through in order to prevent foreign material from entering the product. THK will mount grease nipples per your request. Therefore, do not use the side nipple pilot holes ※ for purposes other than mounting a grease nipple.

Model No.	LM Rail Dimensions					Load Rating		Static Parmissible Moment (kN·m)					Mass	
	W <sub>1</sub>	W <sub>2</sub>	M <sub>1</sub>	F	d <sub>1</sub> ×d <sub>2</sub> ×h	C (kN)	C <sub>0</sub> (kN)	M <sub>A</sub>	M <sub>A2</sub>	M <sub>B</sub>	M <sub>B2</sub>	M <sub>C</sub>	Block (kg)	Rail (kg/m)
SSR15XSB- Y	15	18.5	12.5	60	4.5×7.5×5.3	9.1	9.7	0.0303	0.119	0.0189	0.112	0.0562	0.11	1.2
SSR20XSB	20	19.5	15.5	60	6×9.5×8.5	13.4	14.4	0.0523	0.336	0.0326	0.213	0.111	0.18	2.1
SSR25XSB- Y	23	25	18	60	7×11×9	21.7	22.5	0.104	0.661	0.0652	0.419	0.204	0.31	2.7
SSR30XSB	28	31	23	80	7×11×9	34.8	34.4	0.186	1.12	0.116	0.711	0.376	0.52	4.3
SSR35XSB	34	33	27.5	80	9×14×12	48.3	46.7	0.295	1.77	0.184	1.12	0.615	0.77	6.4



Static permissible moment  $M_A, M_B, M_C$  : static permissible moment value with 1 LM block  
 $M_{A2}, M_{B2}$  : static permissible moment value with 2 blocks closely contacting with each other

# Model number coding



(\*1) Contamination protection accessory, (\*2) Radial clearance symbol, (\*3) Accuracy symbol, (\*4) Symbol for No. of rails used on the same plane  
For details, refer to THK general catalog or THK website.

This model number indicates that a single-rail unit constitutes one set.  
(i.e., required number of sets when 2 rails are used in parallel is 2 at a minimum.)  
Those models equipped with QZ Lubricator cannot have a grease nipple. When desiring a grease nipple for a model attached with QZ, contact THK.

For models SSR15 and 25, two types of rails with different mounting hole dimensions are offered (see Table below).  
When, replacing this model with model SR, pay attention to the mounting hole dimension of the LM rail.  
Contact THK for details.

Model No.	Standard rail	Semi-Standard rail
SSR15	For M4 (Symbol Y)	For M3 (No symbol)
SSR25	For M6 (Symbol Y)	For M5 (No symbol)