

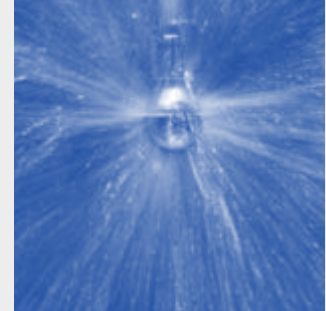


Rotating cleaning nozzle »MaxiSpinner 2« Series 5M4

NEW

Series 5M4

The newly developed MaxiSpinner 2 is similar to the Mini, Micro and NanoSpinner 2 series in many respects. As the largest product of this series, it also convinces with effective cleaning results and a reliable as well as durable bearing construction. The MaxiSpinner 2 is made entirely of stainless steel (316L) and is also designed for high ambient temperatures.



Function video

Scan the QR-Code or go to:

www.lechler.com/de-en/medialibrary



Max. tank diameter [m]

0 | 1 | 2 | 3 | 4 | 5 | 6 | 7 | 8 | 9



Materials
Stainless steel 316L



Max. temperature
250 °C



Recommended operating pressure
2 bar



Installation
Operation in every direction is possible



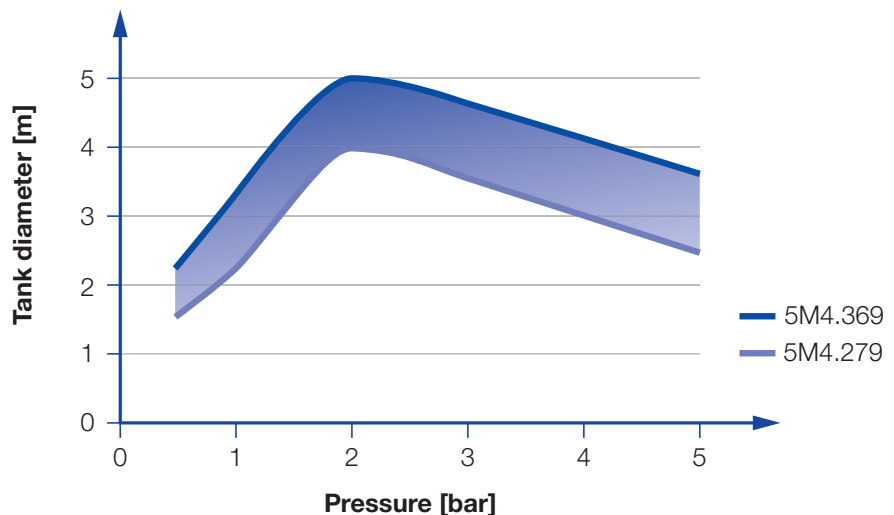
Filtration
Line strainer with a mesh size of 0.1 mm/170 Mesh



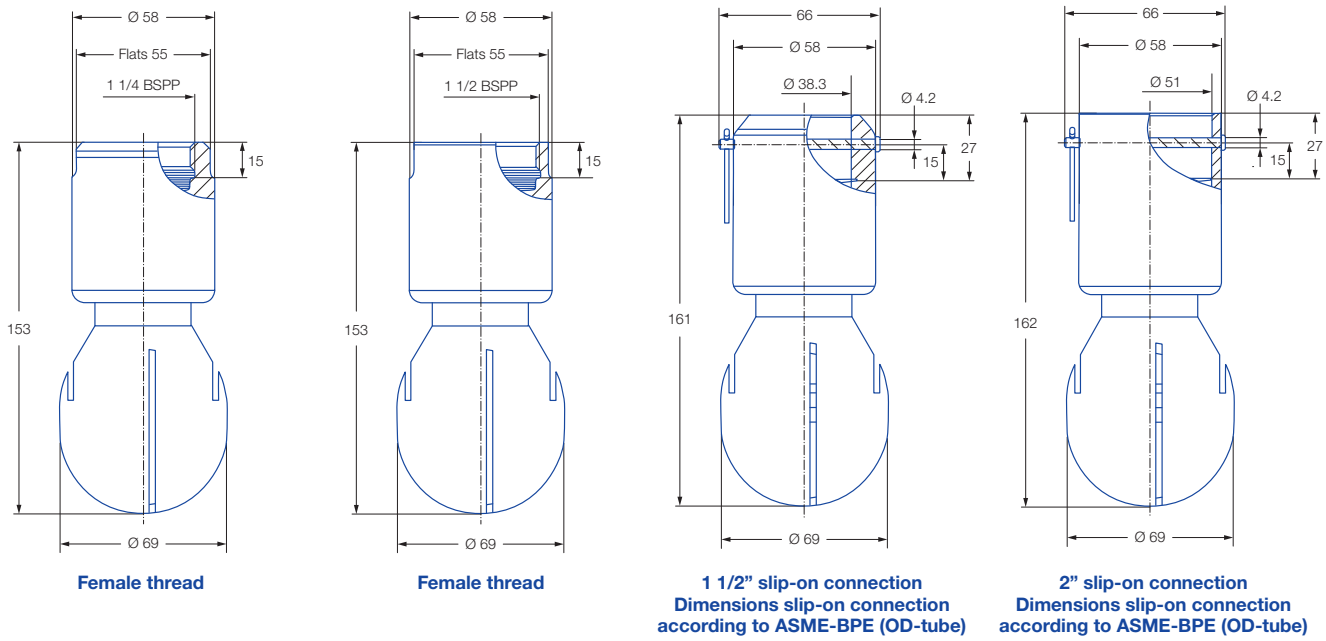
Bearing
Double ball bearing made of stainless steel 316L



Adapter
1 1/4 BSPP and 1 1/2 BSPP are compatible with HygienicFit



Overview of the tank diameter, depending upon the pressure of series 5M4



Spray angle 	Ordering number					E Ø [mm]	V̇ [l/min]				Max. tank diameter [m]
	Type	Connection					p [bar] (p _{max} = 7 bar)*				
		1 1/4 BSPP	1 1/2 BSPP	1 1/2" Slip-on	2" Slip-on		1	2	3	at 40 psi [US gal./ min]	
180° 	5M4.253.1Y	AQ	AS	TF15	TF20	1.8	95	135	165	42	4.0
180° 	5M4.254.1Y	AQ	AS	TF15	TF20	2.1	95	135	165	42	4.0
270° 	5M4.365.1Y	AQ	AS	TF15	TF20	2.5	177	250	306	78	5.0
360° 	5M4.279.1Y	AQ	AS	TF15	TF20	1.7	107	150	184	46	4.0
	5M4.329.1Y	AQ	AS	TF15	TF20	2.0	141	200	245	62	4.5
	5M4.369.1Y	AQ	AS	TF15	TF20	2.3	177	250	306	78	5.0

E = narrowest free cross-section
 NPT and weld-on versions on request
 * Please note the maximum operating pressure of 4 bar for the 2" slip-on version (TF.20).

The maximum tank diameter shown above applies for the recommended operating pressure and is indicative only. The cleaning result is also affected by the type of soiling.

Information on operation

- Operation with compressed air only for short-term usage. Operation above the recommended operating pressure means higher wear and smaller droplets. This might have adverse effects on the cleaning result.

Slip-on information

- Bolt with head incl. pin made of stainless steel 316L included. (Ordering no. 05M.431.1Y.00.00.0)
- Depending on diameter of the adapter the flow rate can increase due to leakage between connecting pipe and rotating cleaning nozzle.
- Minimum insertion diameter (with mounted bolt) is the same as for the threaded variants 69 mm.

Example of ordering with ATEX approval. FDA and (EG) 1935/2004 conform. Only material 316L SS available with ATEX approval.

Unit group / category / zones:
 ☉ II 1G Ex h IIB T6...T2 Ga
 ☉ II 1D Ex h IIIC T85 °C...T250 °C Da

Example of Type + Mat. no. + Connection = Ordering no.
 ordering: 5M4.369 + 1Y + AQ = 5M4.369.1Y.AQ.EX

Example of ordering with FDA and (EC) 1935/2004 conformity.

All Materials are suitable for contact with food.

Example of Type + Connection = Ordering no.
 Ordering: 5M4.369.1Y + AQ = 5M4.369.1Y.AQ

Attention: for the ATEX version of the 1 1/2" slip-connection and the 2" slip-connection the code for the connection changes. Ordering example for 1 1/2" connection: 5M4.369.1Y.T5.EX. Ordering example for 2" connection: 5M4.369.1Y.T6.EX.