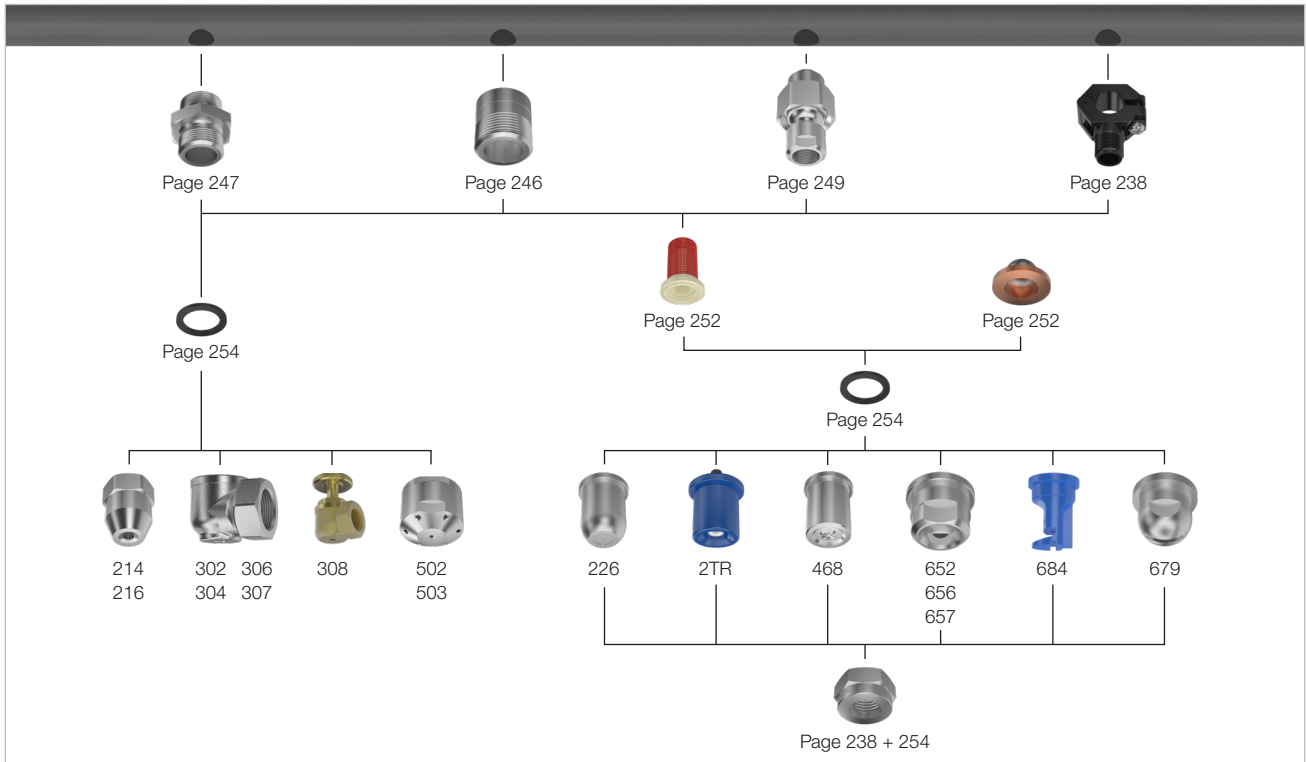


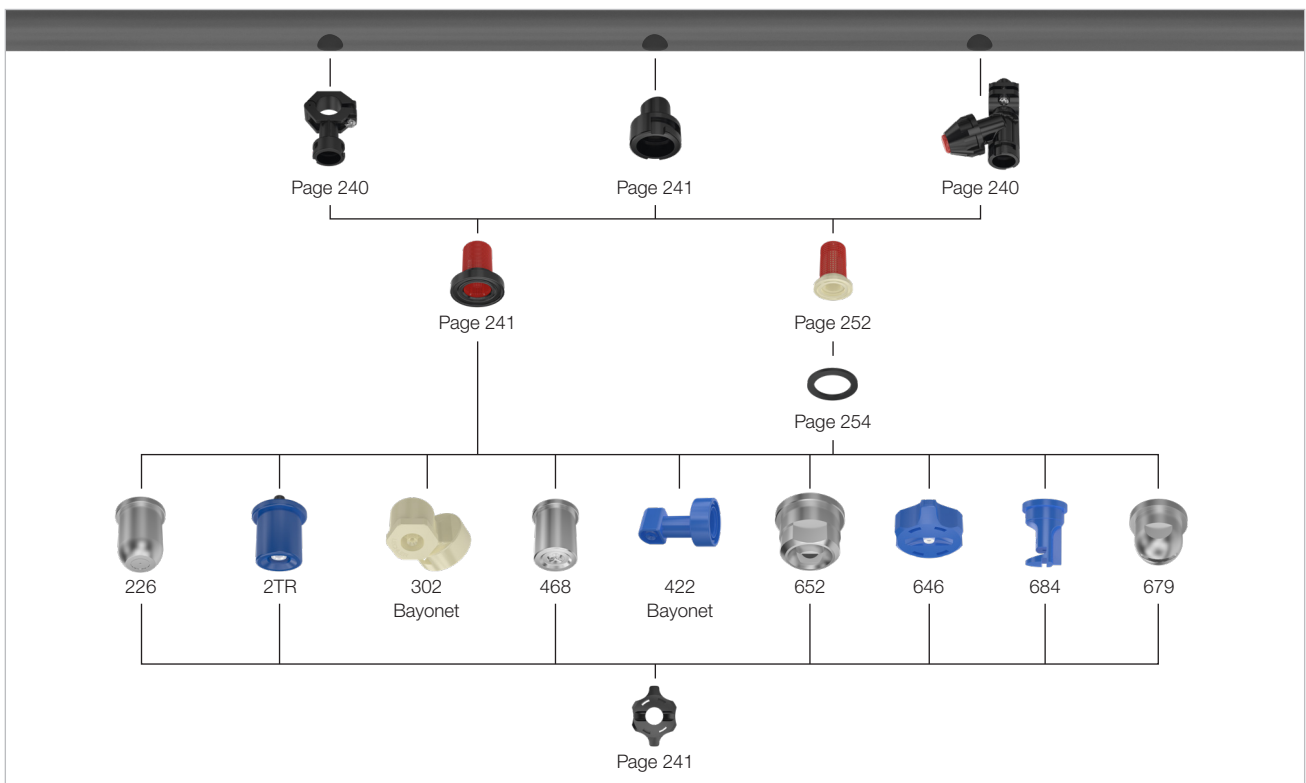
# NOZZLE FASTENING ASSEMBLING OPTIONS FOR ALL PURPOSES



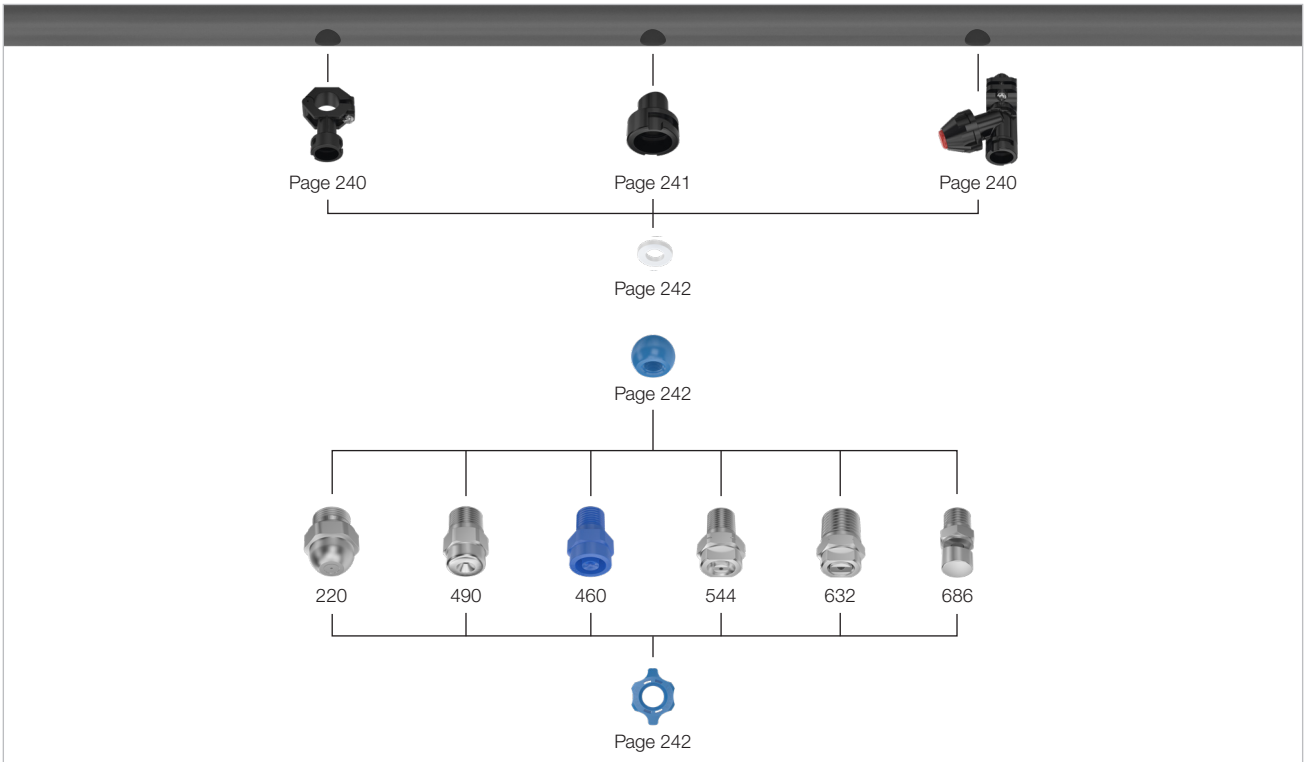
## Assembly accessories for nozzles without thread or with female thread



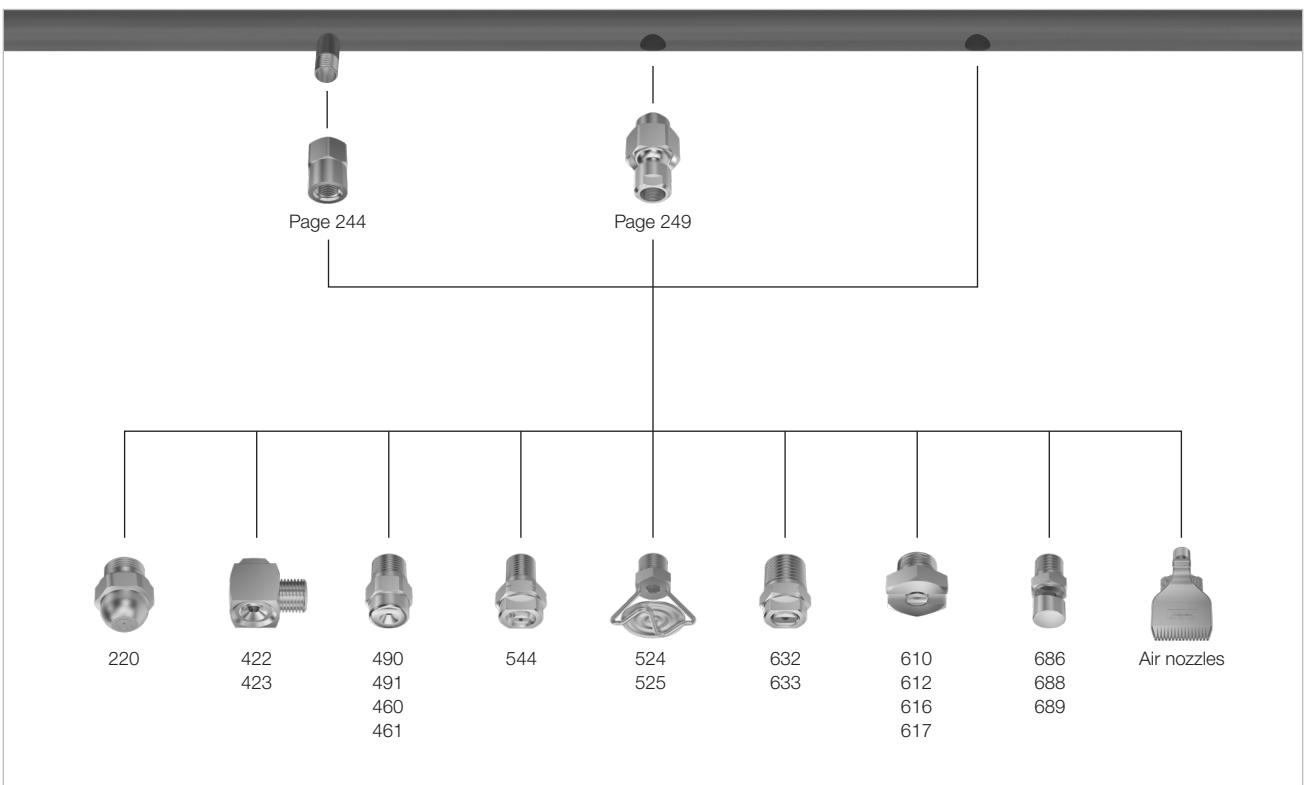
## Bayonet quick-release system for nozzles without thread or with bayonet connection



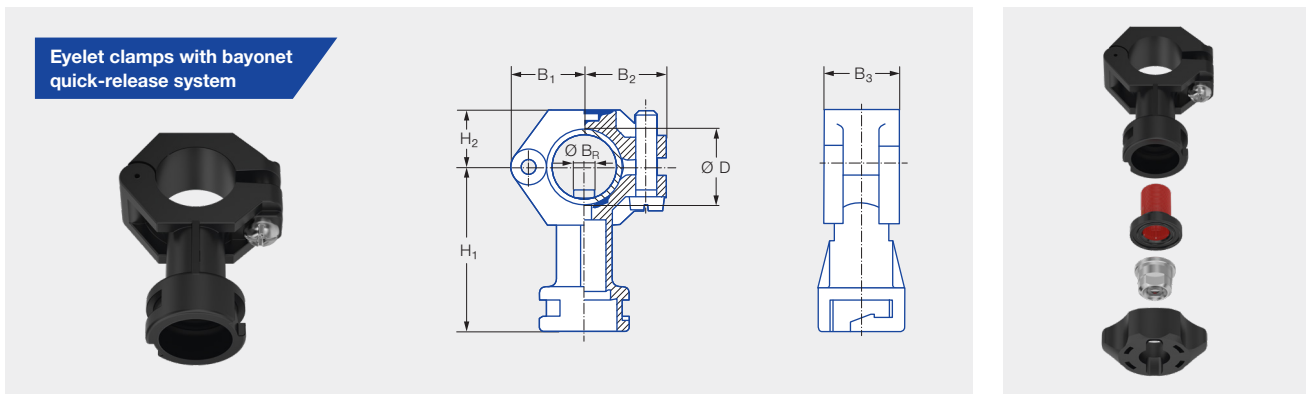
## Bayonet quick-release system with ball joint for nozzles with male thread



## Assembly accessories for nozzles with male thread



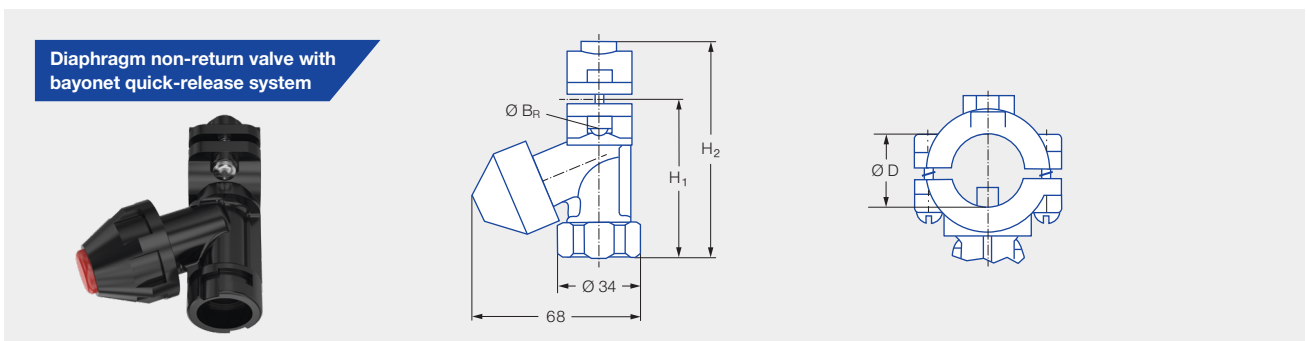
# Eyelet clamps with bayonet connection



Series	Ordering no.				Screw (material)	Pipe Ø	Dimensions [mm]							Weight [g] (Polyamide)		
	Type	Mat. no.					Code	B <sub>1</sub>	B <sub>2</sub>	B <sub>3</sub>	H <sub>1</sub>	H <sub>2</sub>	Ø B <sub>R</sub> <sup>1</sup>		Ø B <sup>2</sup>	Ø D
		51 Black Polyamide	53 White Polypropylene	5E Blue PVDF												
226/2TR/ 302 bayonet/ 422 bayonet/ 468/652/646/ 684/679	090.003	●	●	●	KA	Stainless steel 304	1/2"	21.2	23.8	18.5	49.5	16.5	6.0	6.2–6.4	20.0–22.0	22.0
	090.013	●	●	●	KA		3/4"	24.5	26.5	22.0	52.5	17.5	7.6	7.8–8.0	25.0–27.5	26.0
	090.023	●	●	●	KA		1"	30.0	31.0	22.0	57.0	21.0	10.6	10.8–11.0	32.0–34.5	32.0

<sup>1</sup> Ø B<sub>R</sub> = spigot diameter.

<sup>2</sup> Ø B = recommended bore diameter.



Series	Ordering no.			Screw (material)	Pipe Ø	Ø D [mm]	Pressure [bar]		Dimensions [mm]				Weight [g]	
	Type	Mat. no.					Code	Opening pressure	Closing pressure	H <sub>1</sub>	H <sub>2</sub>	Ø B <sub>R</sub> <sup>1</sup>		Ø B <sup>2</sup>
		56 Black	POM											
226/2TR/ 302 bayonet/ 422 bayonet/ 468/652/646/ 684/679	065.272	●		KH	Stainless steel 303	1/2"	20.0–22.0	0.8	0.6	59.0	84.0	6.0	6.2–6.4	48.0
	065.272	●		KL		3/4"	25.0–27.5	0.8	0.6	66.0	90.0	9.6	9.8–10.0	53.0

<sup>1</sup> Ø B<sub>R</sub> = spigot diameter.

<sup>2</sup> Ø B = recommended bore diameter.

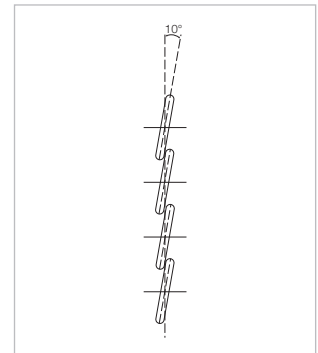
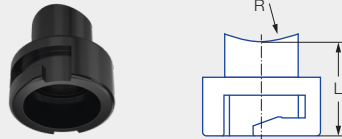
Material	Max. temperature [°C]	Max. pressure [bar]
PA, PP, PVDF, POM	65	10
PA, PP, PVDF, POM	80	8
PVDF	100	4

**Notice:** Please consider the material combination when using bayonet eyelet clamps with bayonet quick-release system nuts. The nuts may be difficult to turn when using different materials.

# Accessories for bayonet system



## Bayonet welded nipple



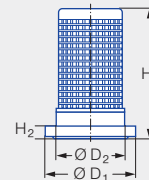
Twist angle to the right in relation to the pipe axis. Twist angle 10°. Other twist angles available on request.

Series	Ordering no.			Dimensions [mm]		Weight [g]
	Type	Mat. no.		L	R	
		50	53			
226/2TR/302 bayonet/ 422 bayonet/468/ 652/646/684/679	095.016.xx.08.05 <sup>1</sup>	●	●	25.0	16.0	10.0

<sup>1</sup> Replace "xx" with the desired material no.

## Strainer with gasket

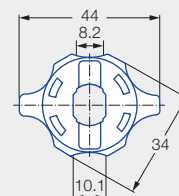
Suitable for bayonet quick-release system nuts 065.202



Performance size	Ordering no.		Colour	Dimensions [mm]					Weight [g]
	Type	Mat. no.		Mesh size	H <sub>1</sub>	H <sub>2</sub>	Ø D <sub>1</sub>	Ø D <sub>2</sub>	
		7J							
xxx.32x-xxx.44x	065.268	●	Blue	0.25	19.20	3.00	18.00	12.00	2.00
xxx.48x-xxx.56x	065.269	●	Red	0.65	19.20	3.00	18.00	12.00	2.00

## Bayonet quick-release system nuts

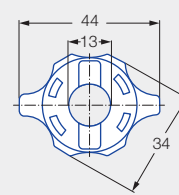
Incl. gasket 065.242.73 (material: Rubber)



Series	Ordering no.			Colour	Weight [g]	
	Type	Mat. no.				
		POM	Polypropylene			PVDF
652/679	065.202.56.00	●		Red	10.0	
	065.202.53.00		●	Grey	10.0	
	065.202.5E.00			Blue	10.0	

## Bayonet quick-release system nuts

Incl. gasket 065.242.73 (material: Rubber)



Series	Ordering no.		Colour	Weight [g]
	Type	Mat. no.		
		POM		
226/2TR/ 468/684	065.202.56.11	●	Black	10.0
	065.202.53.11		Grey	10.0

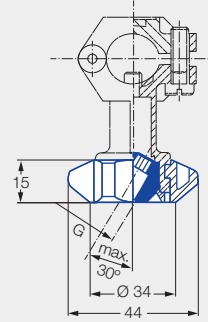
**Notice:** Please consider the material combination when using bayonet eyelet clamps with bayonet quick-release system nuts. The nuts may be difficult to turn when using different materials.



## Ball joints for bayonet quick-release system

Ball joint system for nozzles with 1/8" and 1/4" male thread.

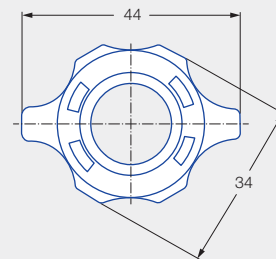
Ball joint for eyelet clamps with bayonet quick-release system



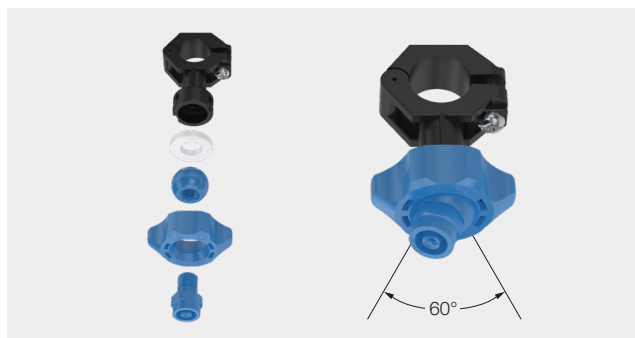
For all nozzles with 1/8" or 1/4" male thread	Ordering no.				Colour	Weight [g]
	Type	Mat. no.	Code			
		PVDF	1/8 BSPP	1/4 BSPP		
Ball joint	<b>092.150</b>	<b>5E</b>	<b>AB</b>	<b>AD</b>	Blue	5.0

Bayonet quick-release system nut for ball joint

Incl. O-ring  
Ordering no. 095.015.7C.04.16.0  
(material: 72 NBR 872)



For all nozzles with 1/8" or 1/4" male thread	Ordering no.			Colour	Weight [g]
	Type	Mat. no.			
		PVDF			
Quick-release system nut	<b>092.150.5E.00</b>	●		Blue	28.0



Max. temperature [°C]	Max. pressure [bar]
65	10
80	8
100	4

Ordering Type + Material no. + Code = Ordering no.  
example: 092.150 + 5E + AB = 092.150.5E.AB