



Type sheet

Sampling device -

End-of-line deflagration flame arrester endurance burning proof

KITO® ZP/R-IIB-1/2"

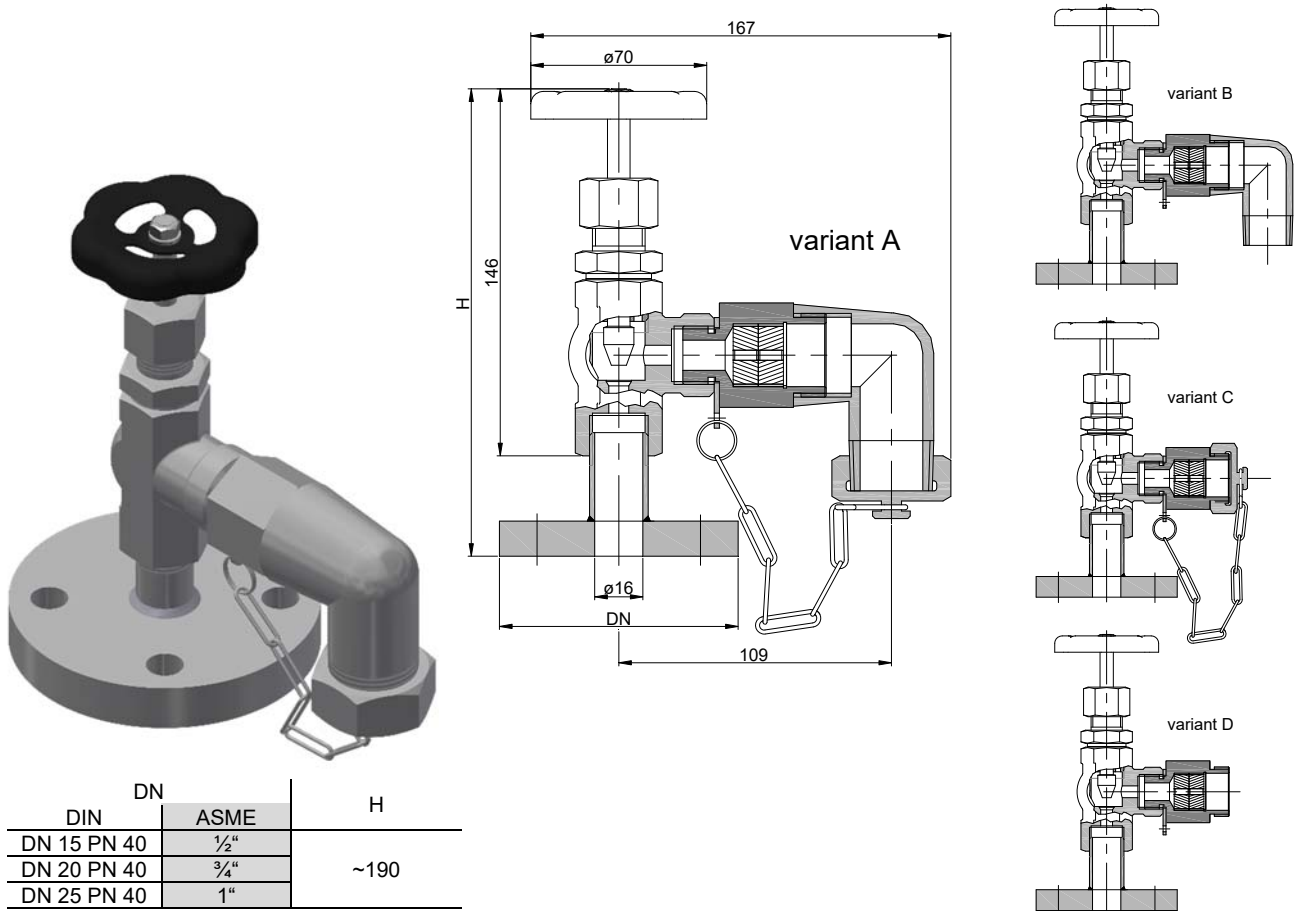
-design with flange connection-

Application

End-of-line deflagration flame arrester endurance burning proof, as sampling device for filling of smallest quantities from containers and pipelines in which flammable media are stored or transported. Can also be used for aeration and ventilation.

Approved for deflagrations of explosive vapour-air or gas-air mixtures of explosion group IIB with a maximum experimental safe gap (MESG) ≥ 0.50 mm. Tested and certified for a maximum operational temperature of 60°C.

Dimensions (mm)



DN		H
DIN	ASME	
DN 15 PN 40	1/2"	~190
DN 20 PN 40	3/4"	
DN 25 PN 40	1"	

Example for order

KITO® ZP/R-IIB-1/2" DN 15 PN 40 variant A
(design with flange connection DN 15 PN 40, variant A)

Type examination certificate to EN ISO 16852 and CE-marking in accordance to ATEX-Directive 2014/34/EU

Design

	standard	optionally
housing	stainless steel mat. no 1.4571 / 1.4408	
shut-off angle valve	stainless steel mat. no 1.4571 / 1.4408	
KITO®-grid	stainless steel mat. no 1.4571	
flange connection	EN 1092-1 type A	ASME B 16.5 Class 150 RF