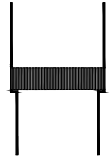




## Type sheet

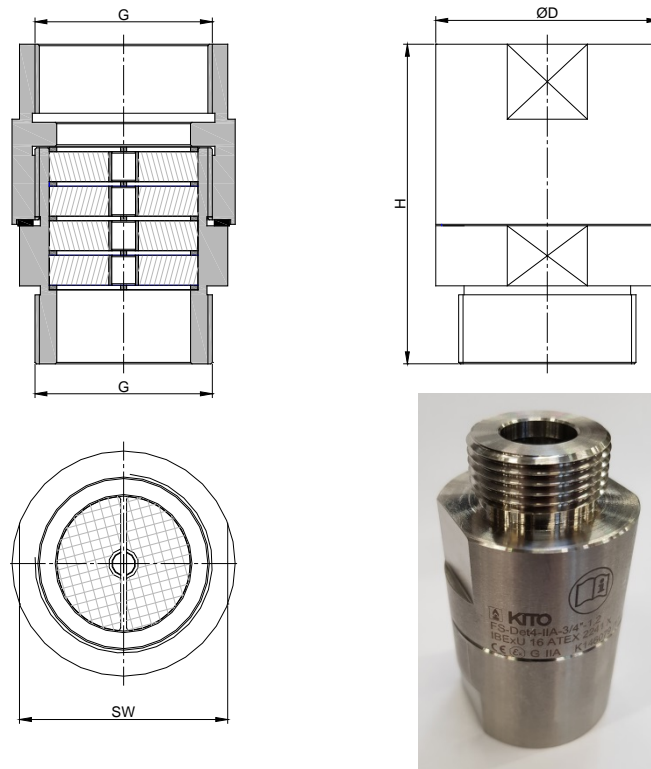
Bi-directional in-line detonation flame arrester  
**KITO® FS-Det4-IIA-...-1.2**



### Application

Installation into pipelines as inline detonation flame arrester e. g. for the protection of ignition gas lines or measuring devices. Applicable for all materials of the explosion groups IIA1 up to IIA with a maximum experimental safe gap (MESG) > 0.9 mm. Operating from both sides, for a maximum operating pressure of 1.2 bar abs. and a maximum operating temperature of 60 °C.

### Dimension (mm)



thread	D	H	SW	kg
G 1/2"	35	69	30	0.4
G 3/4"	40	69	36	
G 1"	45	69	41	0.6
G 1 1/4"	55	107	50	
G 1 1/2"	60	107	55	
G 2"	75	107	70	2.0

Weight refers to the standard design

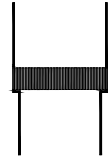
### Example for order

**KITO® FS-Det4-IIA-1"-1.2**  
 (design with threaded connection G 1")

**Type examination certificate to EN ISO 16852 and CE-marking in accordance to ATEX-Directive 2014/34/EU**

**Type sheet**

Bi-directional in-line detonation flame arrester

**KITO® FS-Det4-IIA-...-1.2**

**Design**

	standard	optionally
housing	stainless steel mat. no. 1.4571	
gasket	PTFE	
KITO®-grid	stainless steel mat. no. 1.4571	
interlayer	stainless steel mat. no. 1.4571	
connection	thread inside and outside	

**Performance curves**

Flow capacity  $V$  based on air of a density  $\rho = 1.29 \text{ kg/m}^3$  at  $T = 273 \text{ K}$  and atmospheric pressure  $p = 1.013 \text{ mbar}$ . For other gases the flow can be approximately calculated by

$$\dot{V} = \dot{V}_b \cdot \sqrt{\frac{\rho_b}{1.29}} \quad \text{or} \quad \dot{V}_b = \dot{V} \cdot \sqrt{\frac{1.29}{\rho_b}}$$

