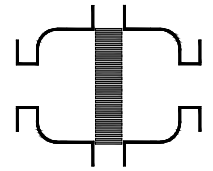


## Type sheet

Bi-directional in-line detonation flame arrester, short-time burning proof

**KITO® CFA-Det4-IIA-.../...-1.2**

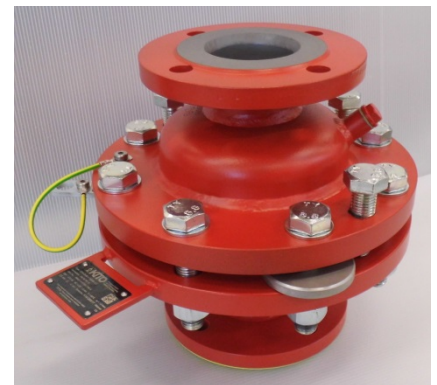
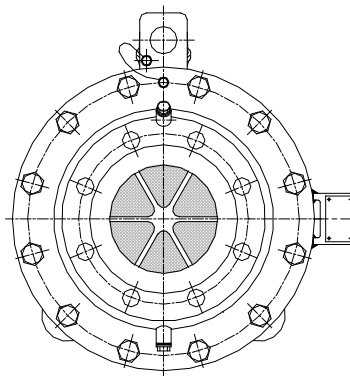
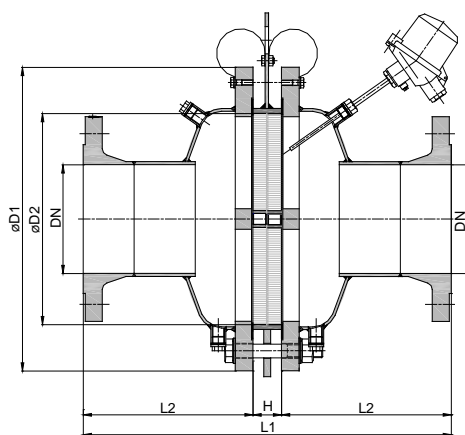
**KITO® CFA-Det4-IIA-.../...-1.2-T (-TT)**



### Application

For installation into pipes to the protection of vessels and components against **stable** detonation of flammable liquids and gases. Tested and approved as detonation flame arrester **type 4**. Approved for all substances of explosion groups IIA1 to IIA with a maximum experimental safe gap (MESG) > 0.9 mm. Bi-directionally working in pipes, whereby an operating pressure of 1.2 bar abs. and an operating temperature of 60 °C must not be exceeded. The installation of the detonation flame arrester into horizontal and vertical pipes is permissible. Provided with one or two temperature sensors (PT 100) the armature is certified against short time burning from one or both sides. If only one thermal sensor is attached, it must be installed into that part of the body from which a fire is expected. Equipped with two head pipes plugs for draining condensate.

### Dimension (mm)



NG	DN		D1	D2	L1	H	L2	kg
	DIN	ASME						
150	50 PN 16	2"	285	159	310	50	130	33
	65 PN 16	2 1/2"						33
	80 PN 16	3"						35
200	80 PN 16	3"	340	206	374	64	155	50
	100 PN 16	4"						52
	100 PN 16	4"						87
300	125 PN 16	5"	445	308	564	64	250	95
	150 PN 16	6"						98
	150 PN 16	6"						141
400	200 PN 10	8"	565	388	664	64	300	149
	200 PN 10	8"						204
500	250 PN 10	10"	670	485	824	64	380	212
	250 PN 10	10"						298
600	300 PN 10	12"	780	584	964	64	450	303
	300 PN 10	12"						
800	350 PN 10	14"	1015	815	1010	110	450	
	400 PN 10	16"						

Weight refers to the standard design

### Example for order

**KITO® CFA-Det4-IIA-150/50-1.2-T**

(design NG 150 with flange connection DN 50 PN 16 and a temperature sensor)

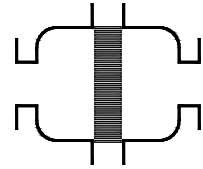
**Type examination certificate to EN ISO 16852 and CE-marking in accordance to ATEX-Directive 2014/34/EU**

## Type sheet

Bi-directional in-line detonation flame arrester, short-time burning proof

**KITO® CFA-Det4-IIA-.../...-1.2**

**KITO® CFA-Det4-IIA-.../...-1.2-T (-TT)**



### Design

	standard	optionally
housing	steel	stainless steel mat. no. 1.4571
gasket	HD 3822	PTFE
KITO®-flame arrester element	completely interchangeable	
KITO®-casing	steel (galvanized to NG 400)	stainless steel mat. no. 1.4571 or 1.4581
KITO®-grid	stainless steel mat. no. 1.4310	stainless steel mat. no. 1.4571
bolts / nuts	galvanized steel	A2
temperature sensor		PT 100, connection 3/8", 1.4571
flange connection	EN 1092-1 type B1	ASME B16.5 Class 150 RF

### Performance curves

Flow capacity  $V$  based on air of a density  $\rho = 1.29 \text{ kg/m}^3$  at  $T = 273 \text{ K}$  and atmospheric pressure  $p = 1.013 \text{ mbar}$ . For other gases the flow can be approximately calculated by

$$\dot{V} = \dot{V}_b \cdot \sqrt{\frac{\rho_b}{1.29}} \quad \text{or} \quad \dot{V}_b = \dot{V} \cdot \sqrt{\frac{1.29}{\rho_b}}$$

