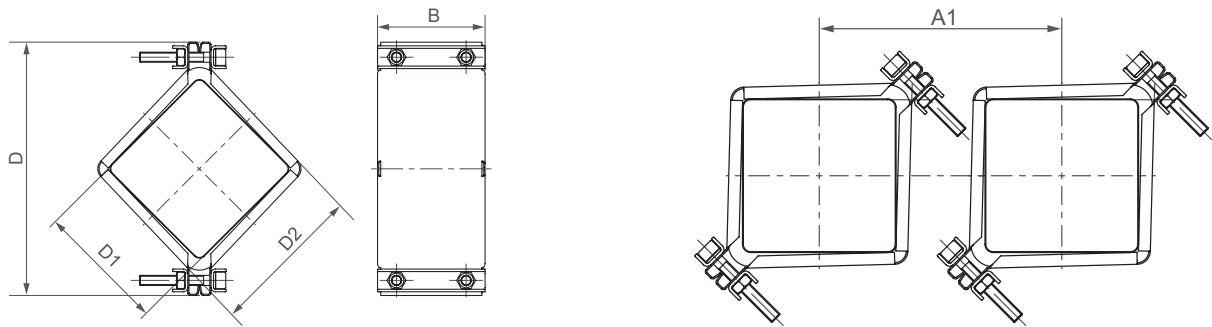


STRAUB-SQUARE-FLEX | 60.0 - 100.0 mm

Components / Materials	W1	W2	W4	W5
Casing				AISI 316 L
Bolts				A4 - 80
Bars				AISI 316 L

Sealing sleeve Temp.: -20°C up to +100°C
EPDM Medium: all qualities of water, waste water, air, solids and chemical products



Dimension [mm]	PN [bar]	D [mm]	D1 [mm]	D2 [mm]	B [mm]	A1 [mm]	Torque rate [Nm]	Allen head [mm]	Thread M...
60.0	4	142	60	83	85	125	10	6	8
80.0	4	171	80	103	85	140	10	6	8
100.0	4	200	100	123	85	170	10	6	8

Remarks:

- Follow fitting instructions