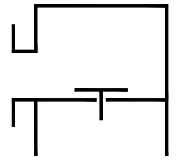




## Type sheet

Vacuum relief valve

KITO® VS/o-...

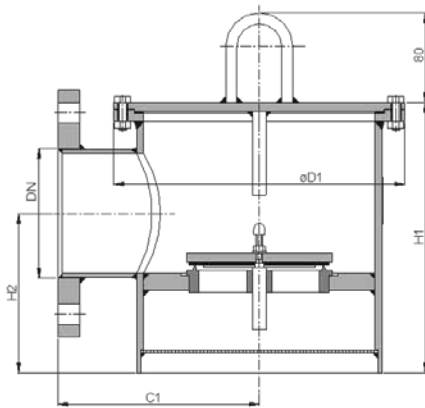


### Application

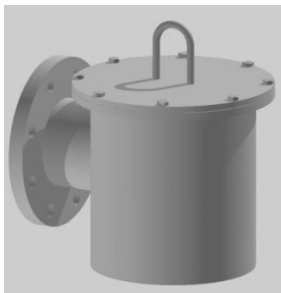
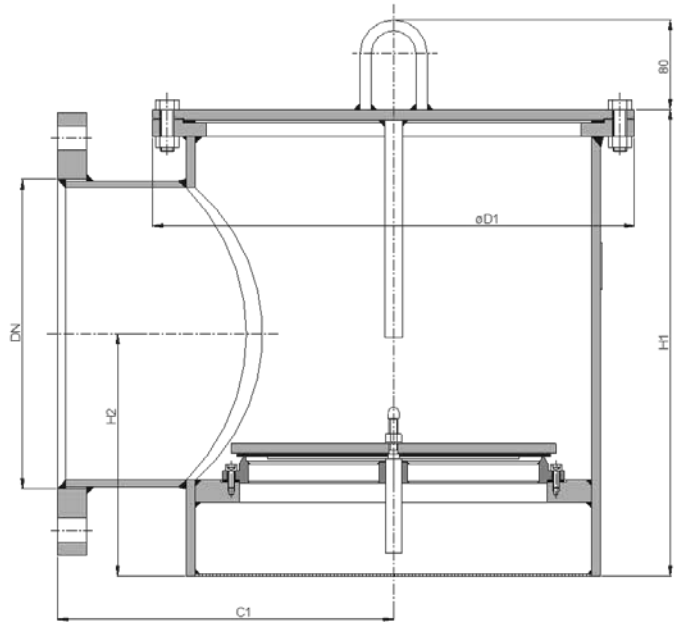
As end-of-line armatures, for venting apertures on tank installations for ventilation and to prevent inadmissible vacuum. Usually mounted on top of a tank, if applicable in conjunction with a pressure relief valve on a common connecting pipe. The valve is not explosion-proof, thus cannot be used for flammable media.

### Dimensions (mm) and settings (mbar)

Design DN 50-200



Design DN 250-400



DN		C1	D1	H1	H2	~kg	min. - max. (load weight from PE)	setting min. - max.	min. - max. (with housing extension)
DIN	ASME								
50	PN 16	2"	120	170	206	108	1.8 - 7.3	7.4 - 130	> 130 - 200
80	PN 16	3"	144	200	232	131	1.8 - 7.7	7.8 - 115	> 115 - 200
100	PN 16	4"	180	260	262	152	1.8 - 7.7	7.8 - 155	> 155 - 200
125	PN 16	5"	195	285	296	173	1.9 - 6.8	6.9 - 130	> 130 - 150
150	PN 16	6"	220	320	337	200	1.8 - 11.9	12 - 150	-
200	PN 10	8"	255	380	404	232	2 - 11.9	12 - 100	-
250	PN 10	10"	300	430	459	248	2.2 - 11.9	12 - 100	-
300	PN 10	12"	345	520	535	296	2.5 - 15.2	15.3 - 100	-
350	PN 10	14"	390	612	605	348	2.5 - 15.2	15.3 - 50	-
400	PN 10	16"	450	685	706	386	2.5 - 15.2	15.3 - 50	-

Indicated weights are understood without weight load and refer to the standard design

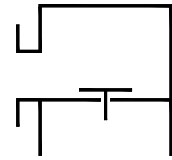
Higher settings see KITO® VS/o-1-...-IIB3 (type sheet D 12.1 N)

### Example for order

**KITO® VS/o-2"**

(design with flange connection 2" ASME B16.5 Class 150 RF)

**Without EC certificate and CE-marking**

**Type sheet**  
 Vacuum relief valve  
**KITO® VS/o-...**

**Design**

	standard	optionally
housing / cover	steel	stainless steel mat. no. 1.4571
gasket	HD 3822	PTFE
valve seat, valve spindle	stainless steel mat. no. 1.4571	
load weight	stainless steel mat. no. 1.4571	PE
valve sealing	NBR	Viton, PTFE, EPDM, metal sealing
	≥ 100 mbar only PTFE or metal sealing	
flange connection	EN 1092-1 type A	ASME B16.5 Class 150 RF

**Performance curves**

Flow capacity V based on air of a density  $\rho = 1.29 \text{ kg/m}^3$  at  $T = 273 \text{ K}$  and atmospheric pressure  $p = 1.013 \text{ mbar}$ . For other gases the flow can be approximately calculated by

$$\dot{V}_{40\%} = \dot{V}_b \cdot \sqrt{\frac{\rho_b}{1.29}} \quad \text{or} \quad \dot{V}_b = \dot{V}_{40\%} \cdot \sqrt{\frac{1.29}{\rho_b}}$$

The indicated flow rates will be reached by an accumulation of 40% above valve's setting (see DIN 4119).  
 If the allowable overpressure is less 40%, please consult der factory for the corrected volume flow.

