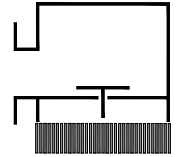




Type sheet

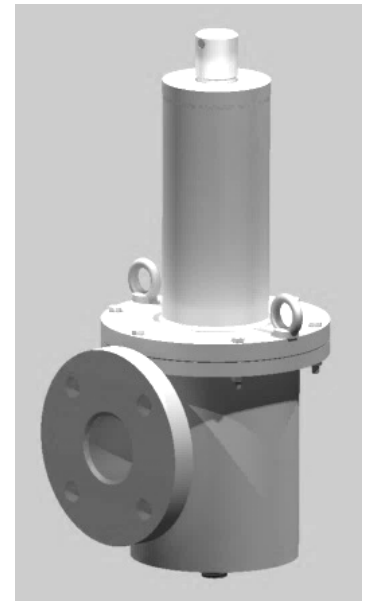
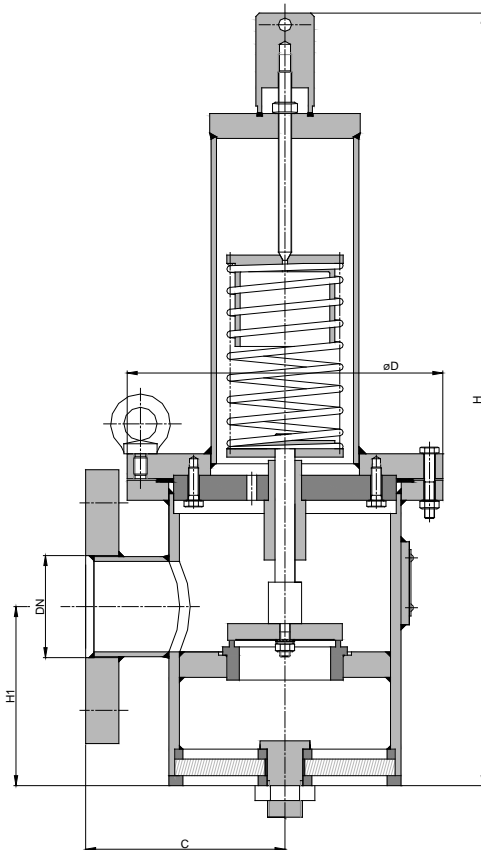
Deflagration proof vacuum relief valve KITO® VS/KS-1-...-IIB3



Application

Explosion proof safety valve to protect inbreathing openings of storage tanks, vessels and pipes to prevent inordinate vacuum. Approved for flammable liquids of explosion group IIB3 with a maximum experimental safe gap (MESG) ≥ 0.65 mm and an maximum operating temperature of 60 °C.

Dimensions (mm) and settings (mbar)



DIN	DN	ASME	C	D	H	H1	kg	setting	
								min.	max.
50 PN 16		2"	120	190	485	108	20	>200	350
80 PN 16		3"	145	214	660	131	30		
100 PN 16		4"	180	260	690	152			
125 PN 16		5"	195			173		>150	350
150 PN 16		6"	220			200			
200 PN 10		8"	255	394	880	232		>100	

Weight refers to the standard design

Lower settings see KITO® VS/KS-...-IIB3 (type sheet D 11 N), higher settings on request

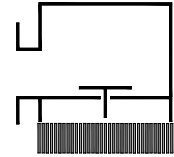
Example for order

KITO® VS/KS-1-50-IIB3

(design with flange connection DN 50 PN 16)

Type examination certificate to EN ISO 16852 and CE-marking in accordance to ATEX-Directive 2014/34/EU

Type sheet

 Deflagration proof vacuum relief valve
KITO® VS/KS-1-...-IIB3

Design

	standard	optionally
housing / cover	steel	stainless steel mat. no. 1.4571
gasket	HD 3822	PTFE
valve pallet	spring loaded	
valve seat, valve spindle	stainless steel mat. no. 1.4571	
valve sealing	metal sealing	
spring loaded parts	stainless steel mat. no. 1.4571	
compression spring	stainless steel	
KITO®-flame arrester element	interchangeable	
KITO®-casing / KITO®-grid	stainless steel mat. no. 1.4571 / 1.4310	stainless steel mat. no. 1.4571 / 1.4571
flange connection	EN 1092-1 type A	ASME B16.5 Class 150 RF