

**Stainless steel-submersible drainage pump with cooling jacket for clear and domestic drainage water.**

**CR253**

**Application**

Irrigation and drainage assignments in clean or dirty water. Cellar draining, keeping trenches, shafts and rooms dry. Domestic waste water disposal in cellar rooms (e.g. washbasins, showers, washing machines). Reduction of surface water. Emergency deployment for flooding. Water extraction from water-courses or reservoirs for irrigation. A cooling jacket with discharge connector at the top ensures sufficient motor cooling even at low water level (sip operation).

**DIN EN 12050-2:** Design tested and monitored.

**Installation:** Stationary or mobile. Version with float switch for use as automatic water level controlled drainage pump. Guided float switch, adjustable switch level. Attachable low suction ring for low suction pumping.

**Pumped medium:** Clear- or drainage water containing solids up to 10 mm particle size. Max. temperature of pumped medium: 35°C, for brief periods up to 60°C.

**Operating mode:** Intermittent operation.

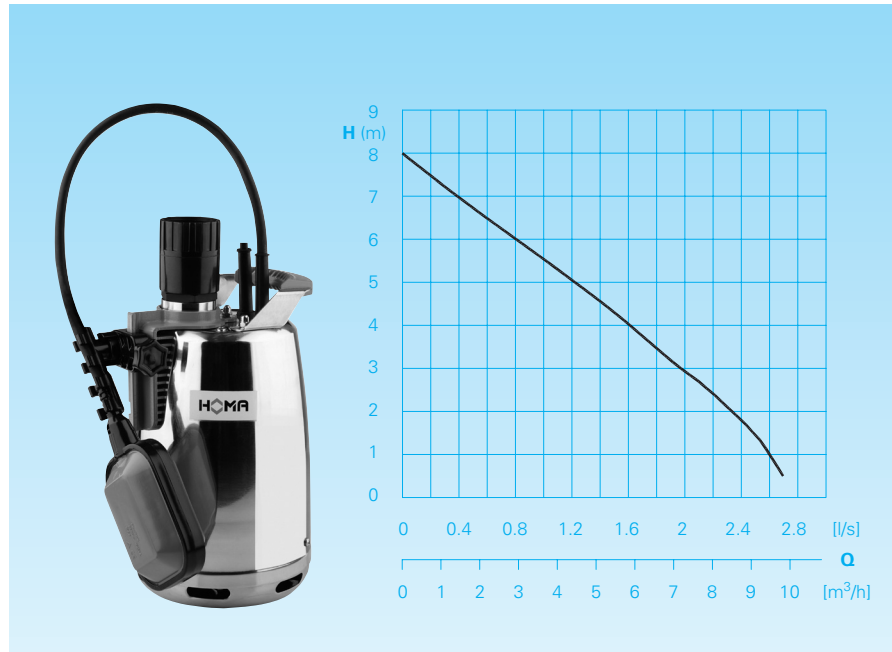
**Design**

Submersible pump, consisting of:  
**Pump:** Single-stage stainless steel centrifugal pump with cooling jacket and vertical discharge.  
**Impeller:** Open multi-blade impeller, free passage 10 mm.

**Motor:** Single-phase electric motor. Thermal sensor for temperature monitoring in the winding. Insulation class F. Protection rating IPX 8. Stainless steel motor shaft with ceramic coated sealing surface, pre-lubricated bearings.

**Shaft seal:** 3 shaft sealing rings.

**Conveying capacity**



**Technical data**

Pump type	Motor input		Voltage 50 Hz (V)	Nominal current (A)	Connecting cable type	Weight (kg)
	P <sub>1</sub> (kW)	P <sub>2</sub> (kW)				
CR253 W(A)	0,53	0,34	230/1Ph	2,1	H07RN-F3G0,75	5,0

**Rotational speed:** 2900 rpm

**Discharge:** G1 1/4

**Model A:** with automatic float switch HOMA-Nivomatik.

**Materials**

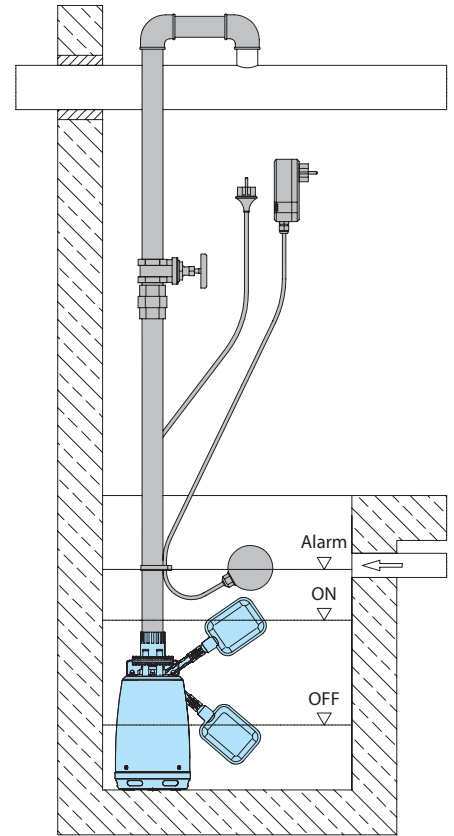
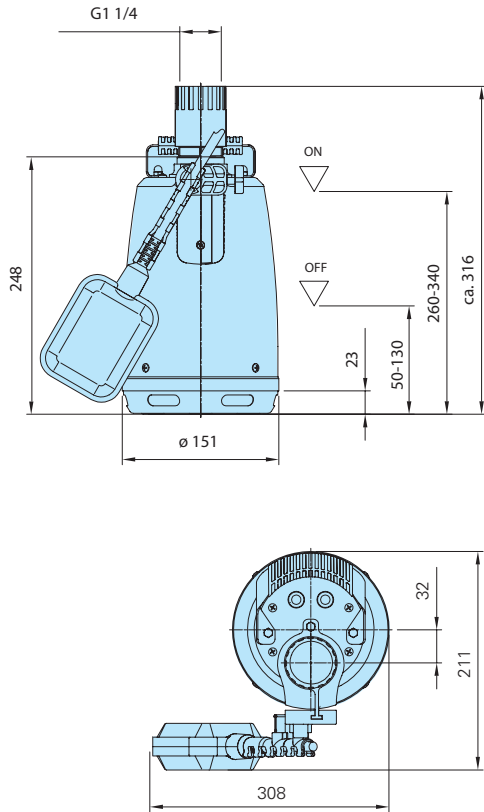
Motor housing, pump housing, screws, suction sieve	Stainless steel
Motor shaft	ceramic coated stainless steel
Impeller	Plastic
Elastomers	NBR

**Scope of supply**

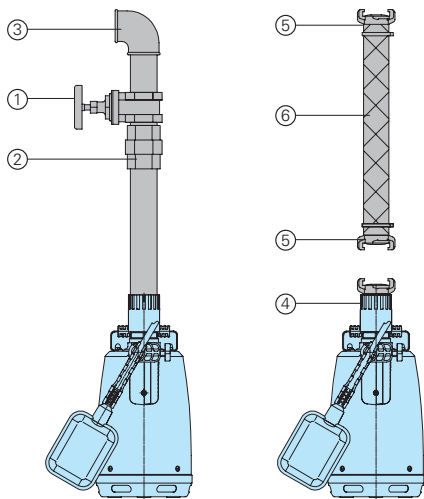
10 m of connecting cable and mains plug, non-return valve. Hose connection.

**Model A:** With automatic float switch HOMA-Nivomatik.

**Dimensions and installation example** (all dimensions in mm)



**Accessories**



Description	Size	Part no.	Description	Size	Part no.
① Shut-off gate valve Brass	BSP 1 1/4" F	2216012	HOMA-Nivomatik float switch level control conversion unit - for 230 V/ 1 Ph		
② Transition screw connection, galvanized	BSP 1 1/4" M/F	2114304	AZW 10/5	5 m of cable	1435055
③ Connection bend 90°, galvanized	BSP 1 1/4" F BSP 1 1/4" F/M	2113604 2111405	AZW 10/10	10 m of cable	1435105
T-piece for merging the pressure pipe in double pump stations, galvanized	BSP 1 1/4" F	2114301	○ Fault-current circuit breaker 2-pin, Fi 16/0.03 A		1561160
○ Non-return valve, brass (if the integrated non-return valve is omitted)	BSP 1 1/4" F	2211213	○ Mains-dependent alarm control unit AL3 with connector for 9 V rechargeable battery (see below) for operation independent of mains power supply, with built-in signal transmitter, float switch and 10 m of cable. Main phase connection 230V/1Ph		1586141
○ Double nipple, galvanized	BSP 1 1/4" M	2009011	9 V rechargeable battery for mains-independent alarm		1952215
④ Fixed coupling, brass	BSP 1 1/4" M	2005413	○ For pump controllers and switchgears for mobile and stationary applications, measuring systems and monitoring devices, see HOMA accessories		
⑤ Hose coupling brass	1" / 1 1/4"	2003313 / 2003413			
⑥ PVC-hose, per m	1" Ø 25 mm / 1 1/4" Ø 30 mm	2621000 / 2621200			
Plastic- spiral hose, per m	1" Ø 25 mm / 1 1/4" Ø 32 mm	2632025 / 2632030			
Hose clamp	3/4" - 1" / 1 1/4"	2302330 / 2303252			



We reserve the right to alter our specifications without notice!