



# Control cable | PVC | chainflex® CF160.UL

Strip cables 50% faster with CFRIP® tear strip

igus® chainflex® CF160.UL

Example image

Part No.	Number of cores and conductor nominal cross section [mm²]	Outer diameter (d) max. [mm]	Copper index [kg/km]	Weight [kg/km]
CF160.UL.10.03	(3G1.0)C	9.5	53	121
CF160.UL.10.04	(4G1.0)C	10.0	66	143
CF160.UL.10.05	(5G1.0)C	11.0	77	164
CF160.UL.10.07	(7G1.0)C	12.5	107	220
CF160.UL.10.12	(12G1.0)C	18.5	177	389
CF160.UL.10.18	(18G1.0)C	23.5	280	648
CF160.UL.15.03	(3G1.5)C	10.0	72	149
CF160.UL.15.04	(4G1.5)C	11.0	89	175
CF160.UL.15.05	(5G1.5)C	12.0	105	204
CF160.UL.15.07 <sup>17)</sup>	(7G1.5)C	13.5	140	271
CF160.UL.15.12	(12G1.5)C	20.0	243	478
CF160.UL.15.18	(18G1.5)C	25.5	373	762
CF160.UL.25.03	(3G2.5)C	11.0	103	185
CF160.UL.25.04	(4G2.5)C	12.0	129	219
CF160.UL.25.05	(5G2.5)C	13.0	159	264
CF160.UL.25.07 <sup>17)</sup>	(7G2.5)C	14.5	223	361
CF160.UL.25.12	(12G2.5)C	23.5	389	688
CF160.UL.25.18	(18G2.5)C	29.5	573	1092

<sup>17)</sup> When using the cables with "7G1.5mm²" and "7G2.5mm²" minimum bend radius must be 17.5xd with gliding travel distance ≥ 5m.

**Note:** The given outer diameters are maximum values and may tend toward lower tolerance limits.  
G = with green-yellow earth core x = without earth core

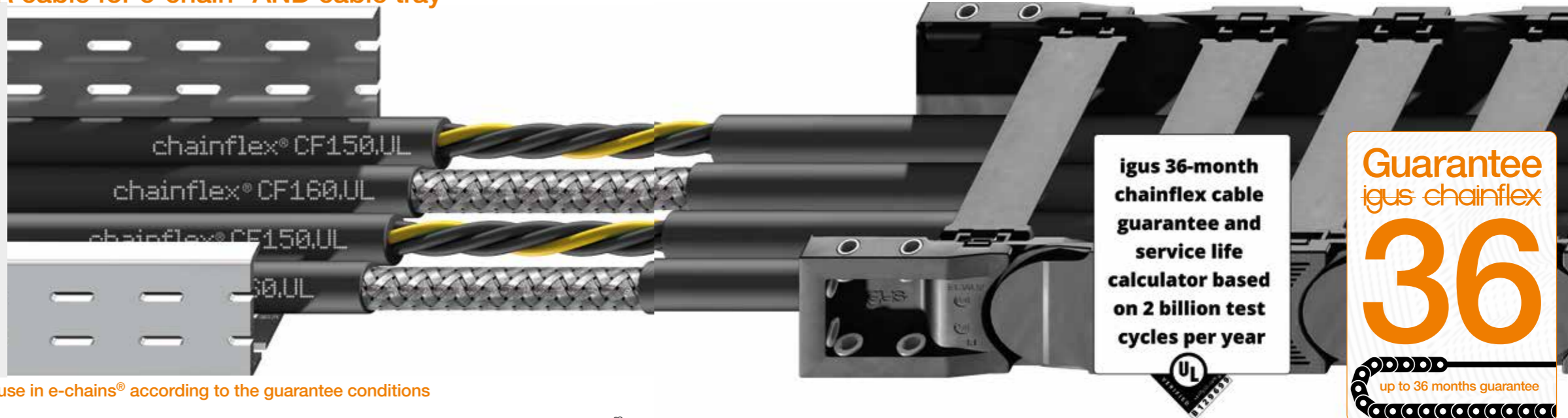
## The only MTW/TC-ER cable for e-chain® AND cable tray

- UL**  
TC-ER UL 1277  
MTW UL 1063  
WTTC UL 2277  
DP-1 UL 1690  
AWM 2587

**CSA:**  
C(UL) CIC/TC

**Specifications:**  
OIL RES I / SUN RES  
75°C wet ≥2.5mm²  
90°C dry  
DIR BUR ≥2.5 mm²

\* with guaranteed service life for use in e-chains® according to the guarantee conditions



Basic requirements  
Travel distance  
Oil resistance  
Torsion

low	1	2	3	4	5	6	7	highest
unsupported	1	2	3	4	5	6	≥ 400m	
none	1	2	3	4	highest			
none	1	2	3	4	±360°			

## Class 4.4.2.1

Order example: **CF160.UL.10.03** - to your desired length (0.5m steps)  
CF160.UL chainflex® series .10 Code nominal cross section .03 Number of cores

Order online ► [www.igus.eu/CF160UL](http://www.igus.eu/CF160UL)

Delivery time 24hrs or today.  
Delivery time means time until goods are shipped.



igus 36-month chainflex cable guarantee and service life calculator based on 2 billion test cycles per year

