

BBS/MNG

BRASS-BALL VALVE WITH THREADED PORTS

DN 4-25 | PN 25

FULL / REDUCED BORE

INFORMATION

Ball Valve with threaded ports

/// The lever is included

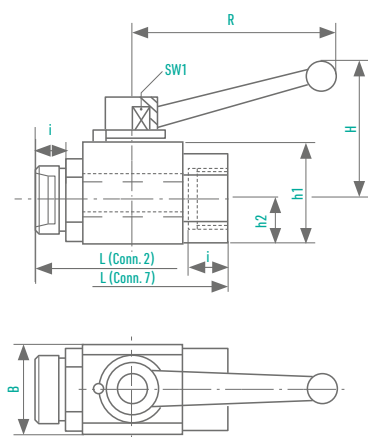
MATERIALS

Body	Brass
Screw connections	Brass
Ball	Brass, hard chromed
Sealings	PTFE
O-Rings	FPM

OPTIONS

/// Special designs on request

/// Different connections available
(while stocks last)



Connection	DN [mm]	LW [mm]	OD Pipe [mm]	PN [bar]	D [mm]	i [mm]	L [mm]	B [mm]	h1 [mm]	h2 [mm]	H [mm]	R [mm]	SW1 [mm]	Weight [kg]	Order Number
2 For compression fitting, light series, DIN 2353	4	4	6	25	M12 x 1,5	9	52	24	28	12	38	55	7	0,2	0352222
	6	6	8	25	M14 x 1,5	9	52	24	28	12	38	55	7	0,2	0352223
	8	8	10	25	M16 x 1,5	10	55	24	28	12	38	55	7	0,2	0352224
	10*	8	12	25	M18 x 1,5	10	55	24	28	12	38	55	7	0,2	0352225
	12	12	15	25	M22 x 1,5	11	67	33	36	16	43	75	7	0,3	0352226
	16*	12	18	25	M26 x 1,5	11	67	33	36	16	43	75	7	0,4	0352227
	20	20	22	25	M30 x 2	12,5	78	42	46	21	49	100	10	0,7	0352228
25*	20	28	25	M36 x 2	12,5	78	42	46	21	49	100	10	0,8	0352229	
7 BSP female thread DIN ISO 228/1	4	4	-	25	G 1/8	10	53	24	28	12	38	55	7	0,2	0352244
	6	6	-	25	G 1/4	10	53	24	28	12	38	55	7	0,2	0352245
	8	8	-	25	G 3/8	11	55	24	28	12	38	55	7	0,2	0352246
	10*	8	-	25	G 3/8	11	55	24	28	12	38	55	7	0,2	0352247
	12	12	-	25	G 1/2	13	67	33	36	16	43	75	7	0,3	0352248
	16*	12	-	25	G 1/2	13	67	33	36	16	43	75	7	0,3	0352249
	20	20	-	25	G 3/4	14	78	42	46	21	49	100	10	0,7	0352250
25*	20	-	25	G 1	19	90	42	46	21	49	100	10	0,8	0352251	

*reduced bore