

Exemplary image

# BBS/MKG

## BALL VALVE WITH THREADED PORTS

**VERSION F**  
**DN 32-50 | PN 315**

**FULL BORE**

### INFORMATION

**Ball Valve with female threads**

/// CE marking

/// The lever is included

### MATERIALS

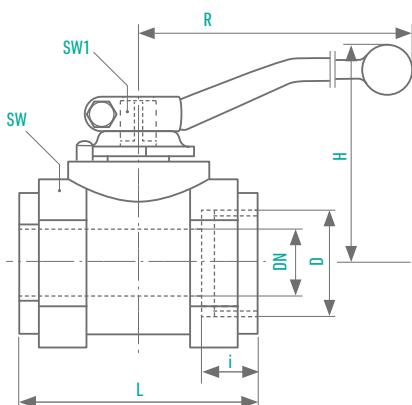
Body	Steel
Fittings	Steel
Ball	Steel
Sealings	POM
O-Rings	NBR
Stem	Stainless steel
Stem retainer	Bronze

### OPTIONS

/// **Mounting holes**  
(BBS/MKG Version F-M)  
Surcharge: 20,40 €

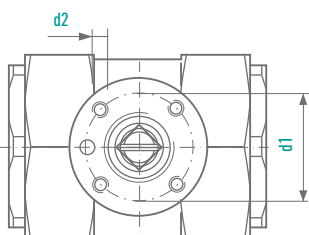
/// **Locking device**  
(BBS/MKG Version F-L)  
Surcharge: 23,00 €

/// Special designs on request



**7 BSP female thread**  
**DIN ISO 228/1**

DN [mm]	OD Pipe [mm]	PN [bar]	D [mm]	i [mm]	L [mm]	SW [mm]	H [mm]	R [mm]	SW 1 [mm]	Weight [kg]	Order Number
32	-	315	6 1 1/4	21	110	70	115	300	16	3,0	0045400
40	-	315	6 1 1/2	23	120	80	120	300	16	4,0	0045401
50	-	315	G 2	24	140	100	130	300	16	6,0	0045402

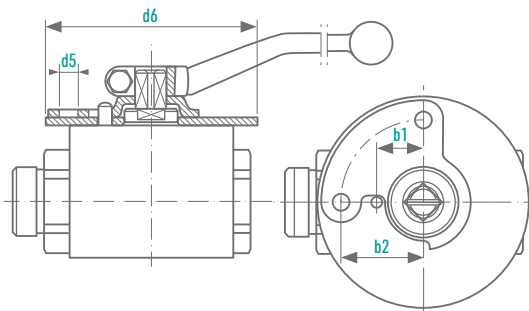
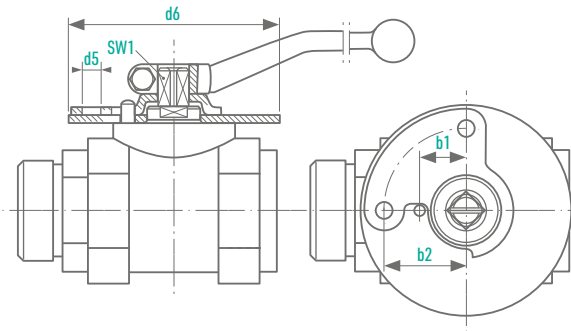


Mounting holes optional  
(BBS/MKG Version F-M)  
See Data Sheet: „OPTIONS“

# OPTIONS

## LOCKING DEVICE, OPTIONAL (VERSION -L)

Subject to surcharge



Models	DN [mm]	b1	b2	d5	d6
<b>KMG KHG MKG ENG</b>	4	12	23	7,5	60
	6	12	23	7,5	60
	8	12	23	7,5	60
	10	13,5	23	7,5	65
	12	17,5	31	7	80
	16	17,5	31	7	80
	20	17,5	31	7	80
	25	17,5	31	7	80
	32	24	41	7	100
	40	24	41	7	100
50	24	41	7	100	
<b>Connection types</b> <b>2,3,7,8, 40</b>					

BAUREIHEN	DN [mm]	b1	b2	d5	d6
<b>BMG BHG EBG</b>	4	12	23	7,5	60
	6	12	23	7,5	60
	8	12	23	7,5	60
	10	13,5	23	7,5	65
	12	17,5	31	7	80
	16	17,5	31	7	80
	20	17,5	31	7	80
25	17,5	31	7	80	
<b>Connection types</b> <b>2,3,7,8,40</b>					