

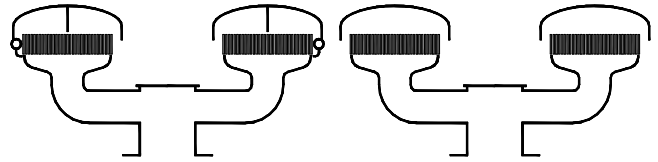


## Type sheet

Deflagration and endurance burning proof ventilation hood

**KITO® BEH/M-IIA-...-A**

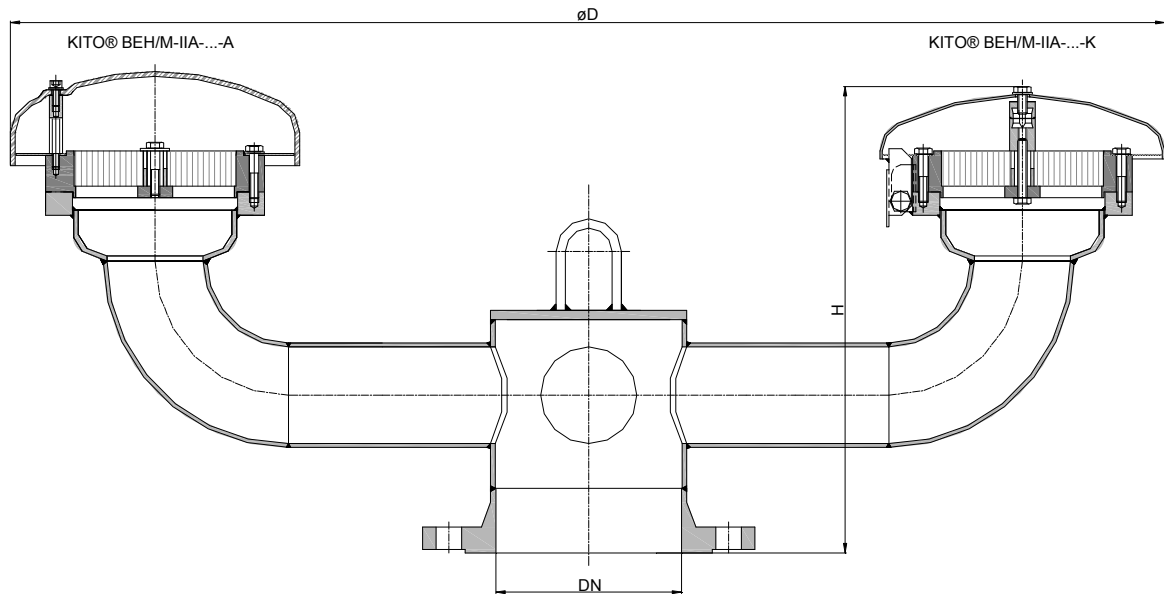
**KITO® BEH/M-IIA-...-K**



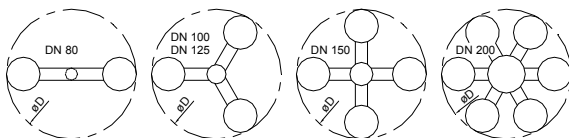
### Application

As breather/venting safety device incorporating an explosion and endurance burning flame arrester for installation on storage tanks containing particular categories of inflammable liquids providing for reliable and safe operation whilst ensuring protection against any possible flashback. Approved for all materials of the explosion group IIA with a maximum experimental safe gap (MESG) > 0.9 mm and an maximum operating temperature of 60 °C.

### Dimensions (mm)



### Arrangement of the KITO® flame arrester elements



DIN	DN	ASME	D	H	number of KITO® flame arrester elements	kg
80 PN 16		3"	940	390	2	28
100 PN 16		4"	1054	400	3	45
125 PN 16		5"	1054	400	3	
150 PN 16		6"	1234	400	4	59
200 PN 10		8"	1634	415	6	99

Weight refers to the standard design

### Example for order

**KITO® BEH/M-IIA-80-K**

(design with weather hood from 1.4571 and flange connection DN 80 PN 16)

**Type examination certificate to EN ISO 16852 and CE-marking in accordance to ATEX-Directive 2014/34/EU**

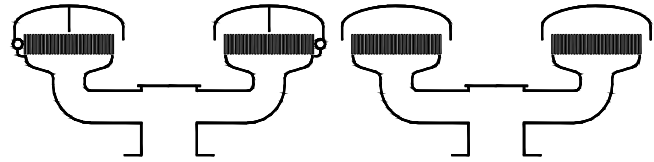


## Type sheet

Deflagration and endurance burning proof ventilation hood

**KITO® BEH/M-IIA-....-A**

**KITO® BEH/M-IIA-....-K**



### Design

	standard	optionally
housing	steel	stainless steel mat. no. 1.4571
KITO®-flame arrester element	completely interchangeable	
KITO®-casing / KITO®-grid	stainless steel mat. no. 1.4308 / 1.4310	stainless steel mat. no. 1.4408 / 1.4571
weather hood <b>KITO® BEH/M-IIA-....-A</b>	PMMA	
weather hood <b>KITO® BEH/M-IIA-....-K</b>	stainless steel mat. no. 1.4571, hood can fold automatically as a result of folding mechanism and fusing element	
protective screen	PA6	
flange connection	EN 1092-1 type B1	ASME B16.5 Class 150 RF

### Performance curves

Flow capacity V based on air of a density  $\rho = 1.29 \text{ kg/m}^3$  at  $T = 273 \text{ K}$  and atmospheric pressure  $p = 1.013 \text{ mbar}$ . For other gases the flow can be approximately calculated by

$$\dot{V} = \dot{V}_b \cdot \sqrt{\frac{\rho_b}{1.29}} \quad \text{or} \quad \dot{V}_b = \dot{V} \cdot \sqrt{\frac{1.29}{\rho_b}}$$

