



Multi-channel flat jet nozzles for air Whisperblast[®], metallic versions Series 600.283.42

Series 600.283.42

The multi-channel flat jet nozzles of the 600.283 series are made of aluminum and are capable of withstanding significantly higher thermal and mechanical loads than comparable air nozzles made of plastic. In addition, the blowing force also increases at higher air pressures, making this series suitable for very demanding applications.



* Complies with OSHA requirements on noise level



Cost savings

19%



Noise reduction

18%



Material
Aluminum



Blowing force
2.4 N at 2 bar



Noise level
76 db(A) at 2 bar



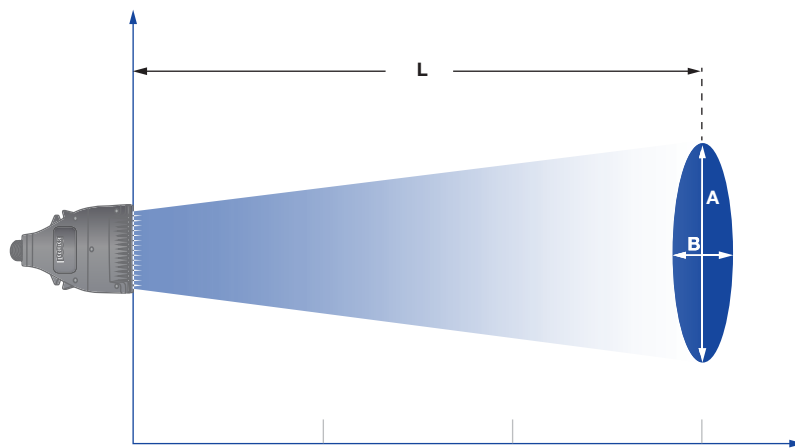
Air consumption
 $V_{LN} = 18 \text{ m}^3/\text{h}$ at 2 bar



Pressure
 $p_{max} = 10 \text{ bar}$



Max. temperature
200 °C

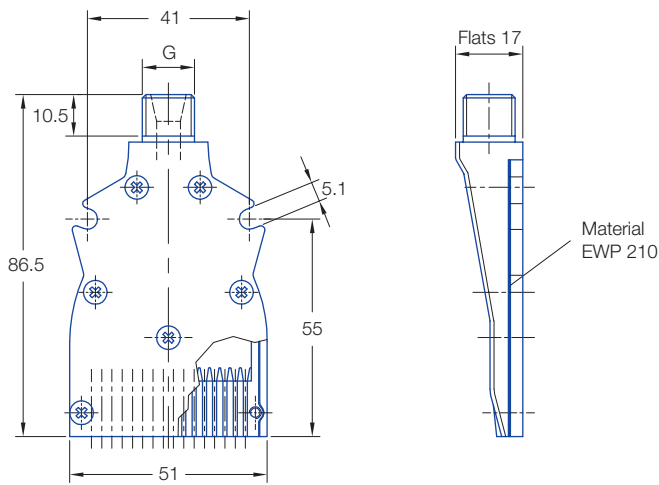


Jet pattern of 600.283 nozzle series

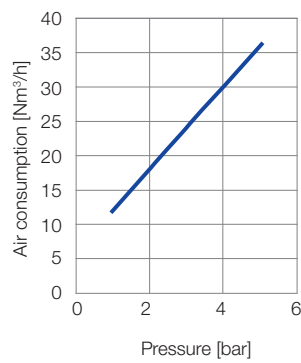
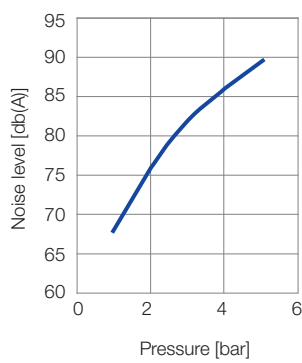
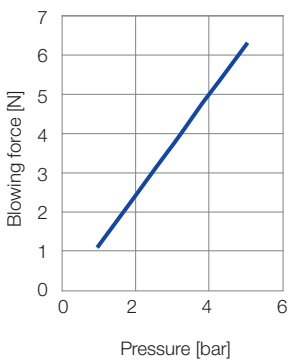
| Pressure: | 1 bar | 3 bar | 5 bar |
|------------------|-------|-------|-------|
| Distance L [mm]: | 750 | 900 | 900 |

Jet dimensions at L

| | | | |
|---------|-----|-----|-----|
| A [mm]: | 170 | 210 | 240 |
| B [mm]: | 150 | 180 | 210 |



Technical data



| Ordering no. | | | |
|----------------|-----------------|------|-----------------|
| Type | Mat. no. | Code | |
| | Aluminum | | 1/4 BSPP |
| 600.283 | ○ | AC | BC |

Example of ordering: **Type** + **Mat. no.** + **Code** = **Ordering no.**
600.283. + **42** + **AC** = **600.283.42.AC**