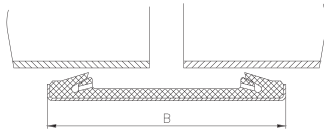
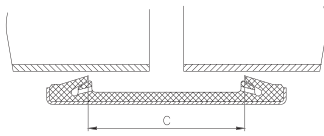

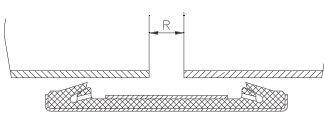



STRAUB-FLEX / STRAUB-OPEN-FLEX overview

■ one-piece ■ two-piece ■ from 3048.0 mm three-piece

4H	323.9	812.8	4064.0
4LV	323.9	812.8	4064.0
3.5H	323.9	1219.2	4064.0
3.5LV	323.9	1219.2	4064.0
3X	558.8	2032.0	4064.0
3H	323.9	2032.0	4064.0
3LV	323.9	2032.0	4064.0
3LS	219.1	2032.0	(OPEN-FLEX slotted 508.0 - 1219.1)
2XS	273.0	2032.0	
2H	273.0	2032.0	
2LV	273.0	2032.0	
2LU	180.0	2032.0	(OPEN-FLEX slotted 508.0 - 1219.1)
2LS	180.0	1600.0	(OPEN-FLEX slotted 180.0 - 1219.1)
2L	172.0	609.6	(OPEN-FLEX slotted 172.0 - 609.6)
1L	48.3 - 168.3	48.3 - 168.3	(OPEN-FLEX with hinge 48.3 - 168.3)

Specification STRAUB-FLEX / STRAUB-OPEN-FLEX

	Drawing	FLEX 2	FLEX 3	FLEX 3.5	FLEX 4
Width of casing B [mm] Type LV		141	211	310	444
Distance between sealing lips C [mm]		91	127	227	350
Strip inserts A [mm]		70	100	200	300
Gap between pipe ends R without strip inserts [mm]		10	15	20	20
Gap between pipe ends R with strip inserts [mm]		35	60	120	200
Max. axial movement [mm]		10	15	15	20