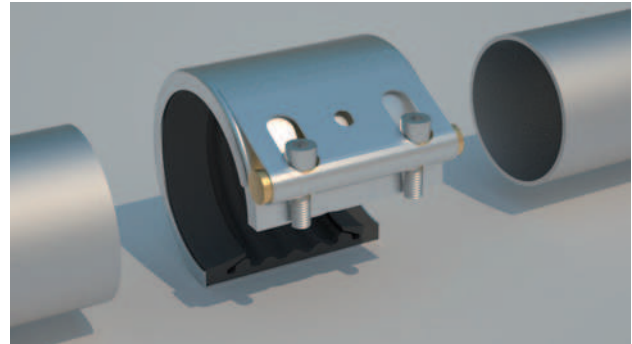


STRAUB-FLEX

The flexible – connection and compensator in one

STRAUB-FLEX is the axially flexible coupling for all pipe materials. This type of coupling not only connects pipes, it simultaneously compensates the axial movement, giving a significant added value to the coupling. STRAUB-FLEX absorbs noise and vibrations optimally.



Sectional view

Working pressure up to 16 / 25 bar
 Outside diameters 48.3 up to 4064 mm
 (available for all pipes from 172 mm up to 4064 mm)
 Temperature range -20°C up to +180°C

Example for ordering:
 STRAUB-FLEX 1L 76.1 mm, EPDM/SS



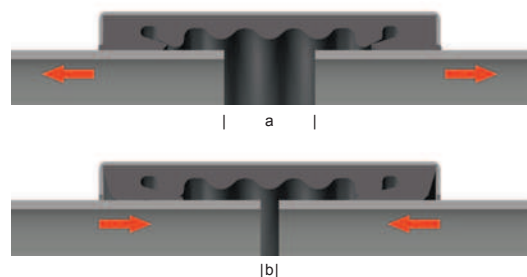
STRAUB-FLEX used as a compensator on unstable ground



For the installation of an adapter piece

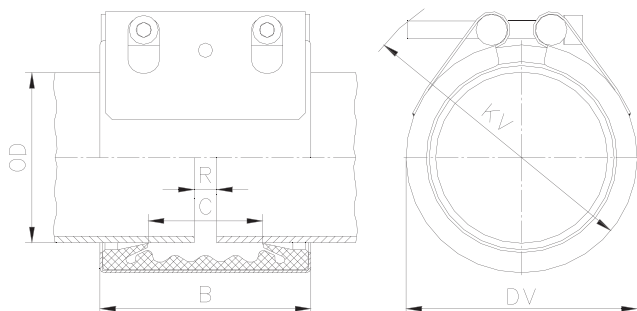
Compensation of axial movement

Max. axial movement	
STRAUB-type	Δl (a-b) [mm]
FLEX 1 / OPEN-FLEX 1	5
FLEX 2 / OPEN-FLEX 2	10
FLEX 3 / OPEN-FLEX 3	15
FLEX 3.5 / OPEN-FLEX 3.5	15
FLEX 4 / OPEN-FLEX 4	20



STRAUB-FLEX 1L Ø 48.3 - 168.3 mm

Components / Materials	W1	W2	W4	W5
Casing		AISI 304 / 316 L		AISI 316 L / 316 TI
Bolts		AISI 4135		A4 - 80
Bars		AISI 12 L 14, galvanised		AISI 316 L
Strip insert (option)		AISI 316 L / PVDF		AISI 316 L / PVDF
Sealing sleeve EPDM	Temp.: -20°C up to +100°C Medium: all qualities of water, waste water, air, solids and chemical products			
Sealing sleeve NBR	Temp.: -20°C up to +80°C Medium: water, gas, oil, fuel and other hydrocarbons			
Sealing sleeve FPM / FKM ²	Temp.: -20°C up to +180°C Medium: ozone, oxygen, acids, gas, oil and fuel (only with strip insert)			



OD [mm]	Clamping range [mm]	PS [bar]	B [mm]	C [mm]	DV [mm]	KV [mm]	R without strip insert [mm]	R with strip insert [mm]	Torque rate [Nm]	Allen head [mm]	Thread M...
48.3 ²	47.0 - 49.5	25.0	75	35	70	85	5	15	7.5	6	8
54.0 ²	52.5 - 55.5	25.0	75	35	76	90	5	15	7.5	6	8
57.0 ²	55.5 - 58.5	25.0	75	35	79	95	5	15	7.5	6	8
60.3	59.0 - 61.5	25.0	75	35	82	95	5	15	7.5	6	8
73.0	71.5 - 74.5	25.0	94	51	95	117	5	25	7.5	6	8
76.1	74.5 - 77.5	25.0	94	51	98	122	5	25	7.5	6	8
84.0	82.5 - 85.5	24.0	94	51	106	127	5	25	7.5	6	8
88.9	87.5 - 90.5	24.0	94	51	111	132	5	25	7.5	6	8
100.6	99.0 - 102.5	23.0	94	51	123	147	5	25	7.5	6	8
101.6	100.0 - 103.5	23.0	94	51	124	147	5	25	7.5	6	8
104.0	102.5 - 105.5	22.0	94	51	126	147	5	25	7.5	6	8
104.8	103.0 - 106.5	22.0	94	51	127	147	5	25	7.5	6	8
108.0	106.5 - 109.5	22.0	94	51	130	152	5	25	7.5	6	8
114.3	112.5 - 116.0	21.0	94	51	136	157	5	25	7.5	6	8
127.0	125.0 - 129.0	19.0	107	62	149	165	5	35	10	8	10
129.0	127.0 - 131.0	18.0	107	62	151	165	5	35	10	8	10
130.2	128.5 - 132.0	18.0	107	62	152	165	5	35	10	8	10
133.0	131.0 - 135.0	16.0	107	62	155	170	5	35	10	8	10
139.7	138.0 - 141.5	16.0	107	62	162	175	5	35	10	8	10
141.3	139.5 - 143.0	16.0	107	62	163	180	5	35	10	8	10
154.0	152.0 - 156.0	16.0	107	62	176	190	5	35	10	8	10
159.0	157.0 - 161.0	16.0	107	62	181	195	5	35	10	8	10
168.3	166.0 - 170.5	16.0	107	62	190	205	5	35	10	8	10

Remarks:

- Follow fitting / disassembly instructions
- PS = Working pressure considering the application loads
Test pressure = PS x 1.5 (for example industry, water supply etc.)
Burst pressure = approx. PS x 2
- Strip inserts are required for special applications, see page 43

² FPM / FKM only available in STRAUB-OPEN-FLEX version, see page 30

For IPS sizes in bold see page 54 for actual OD